



► **Be our FANs!!**

*ADDA corporation was established in Taiwan in 1978.*

*We focus on thermal solutions, especially with cooling fans and thermal modules.*

products Guideline.   
**ADDA CORPORATION**

IECQ QC080000 / ISO 14001 / OHSAS 18001 / ISO 14064 / IATF 16949 / ISO 9001



Scan QR code  
» Surf ADDA website.  
[www.adda.com.tw](http://www.adda.com.tw)





# Index

## Stable & Cool

- 01 Index
- 02 Global Locations
- 03 Honors & Certifications
- 04 Competitive edge
- 05 IP68
- 06 Cooling technology in vehicle
- 08 Automotive Fans
- 09 Customization & Medical Equip
- 10 Dishwasher application
- 11 Drone application
- 12 Pico-projector application
- 13 Refrigerator application
- 14 Virtual reality application
- 15 Cloud computing application
- 16 Thermal module application
- 17 Home application
- 18 IPC application
- 19 DC Fan Model Numbering Scheme
- 20 DC Fan
- 40 DC Fan Signal Control Models
- 42 Blower Fan
- 45 DC Chip cooler Fan
- 46 Waterproof and Dustproof Fan
- 48 AC Fan Model Numbering Scheme
- 49 AC FAN
- 52 Fan accessories
  - Metal Finger Guard



# ADDA Global Locations

## KAOHSIUNG

Group Administration & Fan International Sales Office

35F., No. 38, Singuang Road, Ling Ya District, Kaohsiung City 802, Taiwan (R.O.C.)

Tel: 886-7-269-5166 Fax: 886-7-269-5366

e-mail: adda@adda.com.tw

## PING TUNG / FACTORY

No.6, East Section Industrial 6th Road, Pingtung City, Pingtung County 900, Taiwan (R.O.C.)

Tel: 886-8-755-0579 Fax: 886-8-753-2815

## TAIPEI

Fan Domestic Sales Office / Thermal Department

9FL-6, No.81, Sec. 1, Hsin-Tai 5th Road, Sijih District, New Taipei City 221, Taiwan (R.O.C.)

Tel: 886-2-2698-0277 Fax: 886-2-2698-0295

## NORTH AMERICA / ADDA USA, INC

1502 WEST YALE AVE, ORANGE, CA 92867, USA

Tel: 1-714-674-7920 Fax: 1-714-257-7486

e-mail: sales@addausa.com

## HONG KONG / ADDA Corp (Hong Kong)

Unit U, 6/F, Haribest Industrial Building, 45-47 Au Pui Wan Street, Fotan, Shatin, Hong Kong

Tel: 269-00762 & 269-00763 Fax: 269-00083

e-mail: service@addacorp.com.hk

## JAPAN / MELCO TECHNOREX CO.,LTD.

1933-1, Hamagawa-Shinden Kakegawa Shi, Shizuoka Ken, 437-1423 JAPAN

TEL: 81-537-72-5611 FAX: 81-537-72-5216

Product Inquiry, Please Contact:

NAGOYA OFFICE: TEL: 81-52-745-3040 e-mail: sales@mtr.co.jp

## Europe / ADDA Europe GmbH

Humboldtstraße 30 ,70771 Leinfelden-Echterdingen, Germany

e-mail: evelyn@adda.com.tw



SHENZHEN



HUIZHOU



KUNSHAN



KAOHSIUNG



TAIPEI



EUROPE



AMERICA



HONG KONG



JAPAN

## CHINA / SHENZHEN

Warburg Branch Trade (Shen Zhen) Co., Ltd

Rm1101-1102, Xing Ji Building Xinsha Road Shajing Town Baoan District, Shenzhen, China

Tel: 86-755-2988-3085 Fax: 86-755-2988-3055

## DALIAN

MELCO TECHNOREX (DALIAN) CO., LTD.

Area A, No.32, Dalian Economic and technological Development Zone, Liaoning Province

Tel: 0411-8750-0911 Fax: 86-0411-8750-0922

## SHENZHEN

ADDA Gao Jing Electrical (Shen Zhen) Co., Ltd (Thermal, ShenZhen China)

Ninety-Eight Industrial City, Wanfeng Shajing, Baoan District, Shenzhen, China

Tel: 86-755-2985-1308 Fax: 86-755-2985-1108

## HUI ZHOU

Zeng Da Electrical (Hui Zhou) Co. Ltd

Shangnan Industrial Park, Yuanzhou Road, Yuanzhou Town, Boluo County, Huizhou city, Guangdong, China

Tel: 86-752-6681-279 Fax: 86-752-6683-768

## KUN SHAN

ADDA Electric Machinery Technology (Kun Shan) Co., Ltd

No. 88 JiangFeng Road, Zhang-Pu Town, KunShan City, JiangSu Province, China

Tel: 86-512-5745-1127 Fax: 86-512-5745-1146

# Honors & Certifications



## AWARDS

1995	Taiwan Excellence
1996	Elite Award
	Taiwan Excellence for 2 items
1997	Taiwan Excellence
1998	Rising Star Award
	Taiwan Excellence for 3 items
1999	Taiwan Excellence for 5 items
2000	Taiwan Excellence for 3 items
	Gold Award of National Symbol of Excellence
2001~2003	Taiwan Excellence for 11 items
2004	Taiwan Excellence for 3 items
2005	Taiwan Excellence for 3 items
2006	Taiwan Excellence for 3 items
2007~2008	Taiwan Excellence for 3 items
2009	Taiwan Excellence
2010	Taiwan Excellence for 2 items
2011	Taiwan Gold Medal Quality Product
2012	Taiwan Excellence for 3 items
	OSmart AC Fan award the Computex Taipei@Best Choice Award
	Green ICT
	Dust Fan award the Taitronics Taipei @ Technology Innovation Awards
2015	Taiwan Excellence for 2 items
2018	Taiwan Excellence

## Safety Approvals



## Patents number by COUNTRY



## Patents number by YEAR





## Factory



## Production Base

Shanghai - Kun Shan  
 Shenzhen - Gao Jing  
 Huizhou - Zeng Da



Kun Shan



Gao Jing



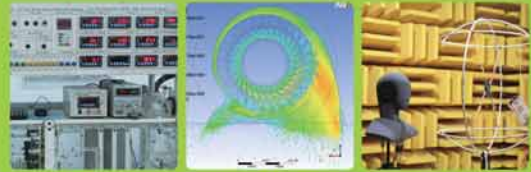
Zeng Da

## Equipment

Production & Automation  
 continuously introduced new equipment



## Laboratory Equipments



Wind Tunnel  
 According AMCA 21099

CFX analysis

Semi-anechoic chamber  
 According ISO 3744  
 According ISO 3745  
 According ISO 7779

## Capacity

Total fan production  
 capacity reach about

**5KK** / per month

- Mini DC Fan
- NB Fan
- DC Fan
- Blower
- AC Fan
- H/S Cooler Module
- Customized Fan

## Products

More than **100,000** kinds of fans !

### Frame Size

- AK 172 mm ~ 280 mm  
( min 51 mm , max 89 mm )
- AA 80 mm ~ 172 mm  
( min 25 mm , max 51 mm )
- AD 17 mm ~ 172 mm  
( min 04 mm , max 51 mm )
- AS 40 mm ~ 140mm  
( min 28 mm , max 51 mm )
- AG 20 mm ~ 127 mm  
( min 10 mm , max 38 mm )
- AB 30 mm ~ 120 mm  
( min 07 mm , max 33 mm )
- AP 35 mm ~ 50 mm  
( min 08 mm , max 10 mm )

### Rated Voltage

05 / 12 / 24 / 48 / Customized

### Rated Speed

D / L / M / H / U / X / Customized

### Series

AD / AS / AG / AA / AB / AP

### Function

Wafer / IC / FG+RD / PWM  
 Customized

### Bearing Type

Ball / Sleeve / Hypro Bearing / FDB  
 Customized

# IP68

## 低壓灌膠散熱風扇 new technological sealing fan

### 工藝精進 ▶▶

IP68低壓灌膠散熱風扇之防水馬達，透過機台高溫低壓力將熱溶膠灌注於金屬模具內，新工法大幅縮短灌膠後等待乾燥的時間，有效提高灌膠後馬達性能良率、增加生產產能，有助於解決防水風扇業無法大批量生產的困境。

防水灌膠馬達主要是可以耐IP68防水等級，可以起到防水、防潮、防塵、絕緣、防震的作用。

### Process improvement ▶▶

IP68 new technological sealing fan that we enhance the production of continuous automatic machine and metal molds.

The waterproof motor is mainly IP68 resistant waterproof rating, can be waterproof, moisture-proof, dustproof, insulation, shock.

#### Model / 產品系列

- ▶ AG6025
- ▶ AS8038
- ▶ AY9225
- ▶ AS12038

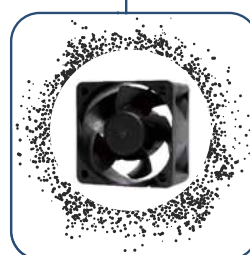


- ▶ AB6015
- ▶ AD8025



# IP68

Ingress Protection



dust tight



protection against submersion



2018 TAIWAN EXCELLENCE AWARD



AG  
LI  
Car H

Air Filter

AD12025



ADDA ADDA CORPORATION  
協禧電機股份有限公司

www.adda.com.tw



Car Audio

AD2510



AD4010

AD4510



Car Charging Stations

AD8025



Electric Vehicle

AY9225

DC/DC converter



2015 TAIWAN EXCELLENCE AWARD

Hybrid Vehicles Car Battery Cooling Fan Solution for Battery Electric Vehicle



Cup H  
AB

# Cooling Technology in vehicle.

WANG  
WARD  
AG4020  
LED  
r Headlights



Navigation

➤ AD4020



Automotive Air  
Conditioner

➤ AS14051



➤ AS12038



High Power Intercom

➤ AD4010



Seat Cushion

➤ AD5015



Thermal module

IF you need  
you can consider



Holder  
AB5020



Refrigerator

➤ AD9225





# Automotive Fans

Stable & Ventilation

- ISO / IATF 16949 CERTIFICATION
- AUTOMOTIVE DEDICATED LINE
- CONTINUOUS IMPROVEMENT TEAM
- FOLLOW VDA 6.3 GUIDELINES
- ESD PRODUCTION CONTROL

## Axial fan



Bearing type: ●=Ball ●=Hypro Bearing

	Fan size (mm)	Bearing Type	Voltage (VDC)	Operating voltage range (VDC)	Current (A)	Speed (RPM)	Airflow (CFM)	Air Pressure (InAq)	Noise (dB/A)	Operating temperature	Car Application
AG2010	20x20x10	●●	5	4.5 ~ 5.5	0.08	5500	0.50	0.03	34.0	-40°C ~ +85°C	PM2.5 sensor
AD3010	30x30x10	●●	5	4.5 ~ 5.5	0.04	6000	2.00	0.06	22.5	-10°C ~ +70°C	Audio
AG3510	35x35x10	●●	5	4.5 ~ 5.5	0.16	7500	5.50	0.13	27.0	-20°C ~ +85°C	Audio
	40x40x10	●●	12	6.0 ~ 13.2	0.07	6900	7.56	0.15	26.2	-20°C ~ +85°C	Audio
AG4010	40x40x10	●●	12	9 ~ 13.2	0.05	5000	5.46	0.09	23.2	-20°C ~ +85°C	Audio
	40x40x10	●●	12	5 ~ 13.8	0.07	5000	5.46	0.09	23.2	-40°C ~ +90°C	Amplifier
	40x40x10	●●	12	10.8 ~ 13.2	0.07	6000	5.70	0.12	30.5	-40°C ~ +90°C	Amplifier
AG4020	40x40x20	●	14	6.5 ~ 17	0.15	8500	11.00	0.28	30.5	-40°C ~ +105°C	LED Headlight
AD4020	40x40x20	●	13.5	6 ~ 16	0.15	8200	9.37	0.40	37.5	-40°C ~ +105°C	LED Headlight
	40x40x20	●	13.5	6 ~ 16	0.20	8200	9.37	0.40	37.5	-40°C ~ +105°C	LED Headlight
	40x40x20	●	14	8 ~ 16	0.12	6200	8.00	0.23	26.0	-40°C ~ +105°C	LED Headlight
	40x40x20	●	12	9 ~ 16	0.15	7200	9.40	0.32	30.0	-10°C ~ +95°C	Converter
AG6012	60x60x25	●	12	10.8 ~ 13.2	0.18	4000	22.61	0.15	34.0	-40°C ~ +85°C	Cup holder

## Blower

Bearing type: ●=Ball ●=Hypro Bearing

	Fan size (mm)	Bearing Type	Voltage (VDC)	Operating voltage range (VDC)	Current (A)	Speed (RPM)	Airflow (CFM)	Air Pressure (InAq)	Noise (dB/A)	Operating temperature	Car Application
AB4510	45x10	●●	12	10.8 ~ 13.2	0.11	5800	2.70	0.36	36.3	-30°C ~ +85°C	Audio
AB6015	60x15	●	13.5	10.5 ~ 16	0.20	3700	6.00	0.48	37.5	-40°C ~ +85°C	Fragrance
AB6018	60x18	●	12	7 ~ 13.2	0.30	5400	8.00	0.88	47.5	-40°C ~ +90°C	Amplifier
AB6025	60x25	●	12	10.8 ~ 13.2	0.12	3800	7.10	0.59	39.9	-20°C ~ +90°C	Cup holder
	60x25	●	12	10.8 ~ 13.2	0.12	3800	7.10	0.59	39.9	-20°C ~ +90°C	Cup holder
AB7025	70x25	●	12	7 ~ 13.2	0.09	2600	7.20	0.35	26.5	-25°C ~ +95°C	Cup holder
AB7530	75x30	●	12	8 ~ 16	0.50	4500	18.20	0.98	49.1	-40°C ~ +85°C	Battery pack
AB7630	76x30	●	12	8 ~ 16	0.52	4500	18.68	0.89	49.2	-40°C ~ +85°C	Battery pack

■ Contact us to find out more about our thermal solutions and custom design capabilities.

# MEDICAL EQUIP. SERIES



AG06012HB257B03



AD0312LB-G50



AD0412LX-G76(T)



AB06305LX090300



Laparoscope



X-ray machine



Supersonic



Electrocardiograph



Medical Tablet

\* ADDA Corp. according



**IATF 16949:2016**  
Automotive Quality Management Systems



**2015** Taiwan  
Excellence Award



**2018** Taiwan  
Excellence Award

▶ Application  
**LED car headlights**



- \* Operating temperature -40°C to +105°C
- \* Automotive-grade electronic components (AEC-Q100 · AEC-Q101 · AEC-Q200) are available upon request.
- \* Balancing grades according ISO 1940 G6.3.

**Cooling Fan Solution**  
for Battery Electric Vehicle

▶ Application

**Hybrid vehicles cooling fan**



- \* Twins structure.
- \* Operating temperature -40°C to +105°C.
- \* IC according AEC-Q100.
- \* High air flow and high pressure design.
- \* Space compression 30%.
- \* Energy Saving 15%.
- \* Speed 11,000RPM · Performance upgrade 20%.





INTELLIGENT HOUSEHOLD  
**TIME, POWER &  
 WATER SAVING**

Further improving on the energy saving



**AB7530**  
 75x75x30 mm



**AC-Blower**  
 126x120x38 mm



Energy conservation becomes the highlight discussed topic worldwide since the global warming issue is getting seriously. Due to aforementioned reason, ADDA has been focusing on developing its most innovative energy saving fan for many years. The newest developed fan has long lifetime, low noise characteristics, and even have the low power, high efficiency features included, which can be tailor-made as according to your actual requirement. It's exactly your best choice in application.

➤ **Application**



Dish Dryer



Dishwasher

Unmanned Aerial Vehicle

# DRONE



The World's Attention Focuses on **Drone**

Drone, unmanned aerial vehicle, is **rated 19% compound annual growth** in the residential market and commercial market from year 2015 to 2020, the market value of drone is vibrant in the future that has been assessed to exceed \$3 billion U.S. dollars after 10 years. This robot vehicle flying in the air is on track to generate more revenue.

ADDA, with many years of practice for fan designing, equips R&D team the remarkable ability to develop new technologies that can satisfy individual customer needs and as well to provide high quality manufacturing and versatile thermal solutions.



**AD1704**  
17x17x04mm



**AD3006**  
30x30x06mm

► Application



Air Shoot



Forest Fire Control



Power Cable Patrol



Search and Rescue



Movie and Advertisement





**AD3006**  
30x30x06 mm



**AB4510**  
45x45x10 mm



**AG2010**  
20x20x10 mm

## Mobile Commerce Entertainments to Go

### Pocket Projector / Pico Projector

Slightness and portability have become the main trends in today's market that indicating the demand of micro-thermal solution is notably important.

ADDA has been endeavoring on the field of micro-thermal solutions and continuing to study greater efficiency on mini size of cooling fan in which furnished key features with slightness, long longevity, low noise, and high performance.

Now the smallest fan in size of 17x17x04mm has been successfully achieved through incremental and breakthrough improvements of our ongoing research efforts, and this mini fan is available for customization to meet customer special needs.

This is the best selection for your product line to be innovated and keep up with the new trends.



## ▶ Application



Commercials



Home Entertainment



Mobile Travel



Education



**ADDA** ADDA CORPORATION  
協禧電機股份有限公司

[www.adda.com.tw](http://www.adda.com.tw)

## White Goods



**AA12038**  
120x120x38mm



**AD12025**  
120x120x25mm



**AD12738**  
127x127x38mm



**AD9025**  
90x90x25mm



**AA9225**  
92x92x25mm



**AA12025**  
120x120x25mm

## New Age on Frozen & Refrigeration !

ADDA has been focusing on the refrigerator cooling fan technology for many years, and continuously studying on its product's cooling efficiency.

ADDA fan is having much longer lifecycle, low noise, high performance characteristics, and enable to meet with waterproof and dustproof's strict ordeal.

Your best cooling fan choice is ADDA !

## Application

Fridges / Freezers / Wine Cellars







**ADDA** ADDA CORPORATION  
協禧電機股份有限公司



# Virtual Reality

**VR** new century  
enrich your life

**AD3006**  
30x30x06mm



As VR device spring up, many enterprises invest in this market and let the competition becomes intensely along with this trend which promote the development with multiple applications.

According to TRI industry researches they estimate for the output value of VR hardware/software device which is going to reach \$6.7 billion in 2016 and will be more growing to \$10 billion until year of 2020.

As a professional manufacturer, ADDA specialize in electronic thermal technique to develop various thermal fan series for many years. Our products with low-power, high-performance, ultra-quiet and other extreme characteristics to satisfy different and unique needs from customers and devote to

## Application

comprehensive solving thermal fan projects.



Game Entertainment



Auxiliary Medical Service (AMS)



Estate Reality  
14



Sightseeing Travel



Military Simulation

# Cloud Computing

Telecom & Server




**FOR 2U SERVER**



**AS8038**  
AS08012UB385BB1

High Pressure **5.3 %**  
High Air Flow **8.5 %**

**FOR 2U SERVER**



**AS8038**  
AS08012HB385BB3

High Pressure **93.6 %**

**FOR 2U SERVER**



**AS8056**  
AS08012HB565BA0

High Pressure **36.1 %**  
Energy Saving **48.9 %**

**FOR 2U SERVER**



**AS6038**  
AS06012UB385BB0

High Air Flow **25 %**  
Energy Saving **41.1 %**

**FOR 2U SERVER**



**AS8038**  
AS08012HB385BB1

High Pressure **118.6 %**  
Energy Saving **6.4 %**

**FOR 2U SERVER**



**AS8038**  
AS08012HB385BB2

High Pressure **95.4 %**  
High Air Flow **5.3 %**

**FOR MORE THAN 2U SERVER**



**AS9238**  
AS09212UB389BB0

High Pressure **35 %**

**FOR MORE THAN 2U SERVER**



**AS14038**  
AS14012XB387BB0

High Pressure **18 %**  
Energy Saving **5 %**

**FOR MORE THAN 2U SERVER**



**AS14051**  
AS14048UB519BB0

High Pressure **39.2 %**  
High Air Flow **15.5 %**





# Thermal Module



2012 Taiwan Excellence Award



Cooler Monster

**Cloud Server**  
cooler



**TDP** Thermal Design Power  
**135W~140W**



**Notebook**  
stamping plate

**LED Industry**

stamping fin, heatpipe,  
soldering



**Profile Projector**

stamping fin, heatpipe  
extrusion heatsink  
soldering



**Telecommunication**

extrusion heatsink



**AIO**

stamping fin, heatpipe,  
stamping plate, soldering



**Graphic Card**

stamping fin  
heatpipe  
diecasting heatsink  
soldering



**Copy Machine**

extrusion heatsink



DC <sup>AC</sup> fan Thermal Module  
Chip Cooler

Living Room

Kitchen



**LCD TV**  
AD4010



**Game Machine**  
AB5510



**Refrigerator**  
AD12025



**Projector**  
AD7015



**Audio Equipment**  
AD8025



**Oven**  
AB12032



**Coffee Machine**  
AD4010



**Micro Projector**  
AD2010



**Set-up Box (STB)**  
AD5015



**Dish Washer**  
AB7530







Gaming



POS/Retail

computer  
telecom  
application



Medical Electronic

industrial & life  
automation



ATM



Kiosk



Digital Signage



Networking



Energy

industrial  
automation



Automation



Transportation

internet  
application

# IPC



AB09005HB120300



AD1224MB-A74GL

Cooling fan products for  
Industrial PC appliance.



AG06012HB257B03



AG12024XB257100(0KU)



AB05124UB150100



AS04012UB285BA1(00LAP)



AD0812XX-A74GL(N)

# DC fan

**New**

**AD|040|05|H|B|56|7|3|00**

① ② ③ ④ ⑤ ⑥ ⑦ ⑧ ⑨

**Old**

**AD|06|12|H|X - A|7|3|GL**

① ② ③ ④ ⑤ ⑥ ⑦ ⑧ ⑨

## 1 SERIES

AB=Blower    AD=Dc Axial Fan    AR=Round Frame  
 AG=Great Performance    AP=Chip Cooler    AS=Dynamic Static Strc  
 AY=Rib Fan/no heat sink

## 2 Frame Size

**New** 1mmx1mm ~ 999mmx999mm

**Old** 15=15mm / 20=20mm / 02=25mm / 03=30mm / 35=35mm  
 04=40mm / 45=45mm / 50=50mm / 06=60mm / 07=70mm  
 08=80mm / 09=92mm / 12=120mm / 17=172mm  
 A= 01mm / B= 02mm / C= 03mm / D= 04mm / E= 05mm  
 F= 06mm / G= 07mm / H= 08mm / J= 09mm / K= 10mm  
 L= 11mm / M= 12mm / N= 13mm / P= 14mm / S= 17mm  
 T= 18mm / U= 19mm / V= 20mm / W= 21mm / X= 22mm  
 Y= 23mm / Z= 24mm

## 3 Voltage

03=3VDC / 05=5VDC / 12=12VDC / 24=24VDC / 48=48VDC

## 4 Speed

D=Ultra low / L=Low / M=Medium / H=High / U=Ultra High  
 X=Over Ultra High / V=Max. High Speed / E=Over Max. High Speed

## 5 Bearing Type

B=Two Ball / S=Sleeve / X=Hypro / F=FDB

## 6 Thickness

**New** 00mm~99mm / A0=100mm  
 B0=110mm / C0=120mm

**Old** A=25mm / B=28mm / C=20mm / D=15mm  
 E=12mm / F=38mm / G=10mm / H=13mm  
 J= 8mm / K=6mm / L=14mm / M=23mm  
 P=18mm / Q=7mm / R=9mm / S=16mm  
 T=11mm / V=4mm / Y=32mm / Z=33mm

## 7 Impeller number

5= 5 blades    7= 7 blades    9= 9 blades    A=11 blades  
 B=13 blades    C=15 blades    D=17 blades    E=19 blades  
 F=21 blades    0=Blower blade shape    M=Multiple Fan

## 8 Function

0=By impedance / 1=By IC / 2=RD / 3=FG / 4=By IC with variable speed sensor(VS)  
 6=By transistor FG / 7=two speed / 8=VS+FG / 9=PWM control / A=VS+RD / B=PWM+FG  
 C=FG+RD / D=PWM+VS / E=By Transistor RD(T+RD) / F=PWM+RD  
 G=By Transistor FG+PWM ( T+PWM+FG ) / H=By Transistor RD+PWM ( T+PWM+RD )

## 9 Fan type

**New** Randomize

**Old** GL=Low Noise / Blank=Standard  
 GP=Great Performance  
 DS=Dynamic & Static



# DC Fan

- AD 17mm ~ 172mm / Thickness : min 04mm ~ max 51mm
- AS 40mm ~ 140mm / Thickness : min 28mm ~ max 51mm
- AG 20mm ~ 127mm / Thickness : min 10mm ~ max 38mm

Bearing type: ●=Ball ※=Sleeve ●=Hypro Bearing

	Frame size (mm)	Model No.	Bearing Type	Rated Voltage (VDC)	Current (A)	Power (W)	Rated Speed (RPM)	Maximum AirFlow (CMM) (CFM)		Maximum Pressure (InAq) (mmAq)		*Noise Level (dB/A)	Weight (g)
<b>AD1704</b>	17x17x04	AD01703HX04AB00(00TX)	●	3.3	0.10	0.33	15000	0.02	0.70	0.09	2.18	31.0	1.4
<b>AD2006</b>	20x20x06	AD2005DX-K70(TX)	●	5	0.06	0.30	7000	0.01	0.30	0.02	0.51	12.0	4
	20x20x06	AD2005LX-K70(TX)	●	5	0.10	0.50	10500	0.01	0.50	0.05	1.27	20.0	4
<b>AD2010</b>	20x20x10	AD2005LB-G70(T)	◎●	5	0.06	0.30	9000	0.01	0.50	0.04	1.02	15.0	6
	20x20x10	AD2005MB-G70(T)	◎●	5	0.08	0.40	11500	0.02	0.60	0.06	1.52	22.0	6
	20x20x10	AD2012LB-G70(T)	◎●	12	0.06	0.72	9000	0.01	0.50	0.04	1.02	15.0	6
	20x20x10	AD2012MB-G70(T)	◎●	12	0.07	0.84	11500	0.02	0.60	0.06	1.52	22.0	6
<b>AG2010</b>	20x20x10	AG02005LX107100	●	5	0.08	0.40	12000	0.04	1.50	0.21	5.33	23.0	4.8
	20x20x10	AG02005MX107100	●	5	0.11	0.55	14000	0.05	1.80	0.26	6.60	26.0	4.8
	20x20x10	AG02005HX107100	●	5	0.15	0.75	16000	0.06	2.10	0.38	9.65	30.0	4.8
<b>AD2506</b>	25x25x06	AD0205DX-K50(TX)	●	5	0.08	0.40	7000	0.04	1.40	0.06	1.52	14.0	5
	25x25x06	AD0205LX-K50(TX)	●	5	0.10	0.50	9000	0.05	1.80	0.11	2.79	21.5	5
	25x25x06	AD0205MX-K50(TX)	●	5	0.13	0.65	12000	0.07	2.40	0.19	4.70	29.0	5
	25x25x06	AD0205HX-K50(TX)	●	5	0.15	0.75	14000	0.07	2.60	0.20	5.08	35.0	5
	25x25x06	AD0212LX-K50(TX)	●	12	0.08	0.96	9000	0.05	1.80	0.11	2.79	21.5	5
	25x25x06	AD0212MX-K50(TX)	●	12	0.09	1.08	12000	0.07	2.40	0.19	4.70	29.0	5
<b>AD2510</b>	25x25x10	AD0205LB-G50(GLT)	◎●	5	0.08	0.40	8000	0.05	1.60	0.09	2.29	18.3	8
	25x25x10	AD0205MB-G50(GLT)	◎●	5	0.09	0.45	10000	0.06	2.10	0.15	3.81	23.0	8
	25x25x10	AD0212LB-G50(GLT)	◎●	12	0.05	0.60	8000	0.05	1.60	0.09	2.29	18.3	8
	25x25x10	AD0212MB-G50(GLT)	◎●	12	0.07	0.84	10000	0.06	2.10	0.15	3.81	23.0	8
<b>AD3006</b>	30x30x06	AD0305DX-K70(TX)	●	5	0.05	0.25	6000	0.06	2.00	0.06	1.52	18.0	6
	30x30x06	AD0305LX-K70(TX)	●	5	0.06	0.40	7500	0.07	2.40	0.08	2.03	22.0	6
	30x30x06	AD0305MX-K70(TX)	●	5	0.08	0.55	9000	0.08	3.00	0.11	2.79	26.5	6
	30x30x06	AD0305HX-K70(TX)	●	5	0.12	0.60	10500	0.10	3.50	0.15	3.81	32.0	6
	30x30x06	AD0312LX-K70(TX)	●	12	0.05	0.60	7500	0.07	2.40	0.08	2.03	22.0	6
	30x30x06	AD0312HX-K70(TX)	●	12	0.08	0.96	10500	0.10	3.50	0.15	3.81	32.0	6
	30x30x06	AD0305DB-G50(T)	◎●	5	0.05	0.25	6000	0.06	2.00	0.06	1.52	19.0	8
<b>AD3010</b>	30x30x10	AD0305LB-G50(T)	◎●	5	0.07	0.35	8000	0.08	3.00	0.12	2.92	26.0	8
	30x30x10	AD0305MB-G50(T)	◎●	5	0.10	0.51	9000	0.09	3.30	0.15	3.76	30.0	8
	30x30x10	AD0305HB-G50(T)	◎●	5	0.13	0.65	10500	0.11	4.00	0.20	5.08	34.0	8
	30x30x10	AD0312LB-G50(T)	◎●	12	0.05	0.60	8000	0.08	3.00	0.12	2.92	26.0	8
	30x30x10	AD0312MB-G50(T)	◎●	12	0.06	0.72	9000	0.09	3.30	0.15	3.76	30.0	8
	30x30x10	AD0312HB-G50(T)	◎●	12	0.10	1.20	10500	0.11	4.00	0.20	5.08	34.0	8
	30x30x10	AD03005LX105100	◎●	5	0.07	0.35	6500	0.10	3.40	0.09	2.29	18.0	6.5
<b>AG3010</b>	30x30x10	AG03005MX105100	◎●	5	0.11	0.55	8000	0.12	4.30	0.13	3.30	23.0	6.5



40x40x56



120x120x38



60x60x25



140x140x51

\*:Noise is measured at the distance of 1 meter from the axis of intake.  
Specifications are subject to change without prior notice.

Bearing type: ◎=Ball ※=Sleeve ●=Hypro Bearing

	Frame size (mm)	Model No.	Bearing Type	Rated Voltage (VDC)	Current (A)	Power (W)	Rated Speed (RPM)	Maximum AirFlow (CMM)	Maximum AirFlow (CFM)	Maximum Pressure (InAq)	Maximum Pressure (mmAq)	*Noise Level (dB/A)	Weight (g)
AG3010	30x30x10	AG03005HX105100	◎ ●	5	0.13	0.65	9500	0.15	5.40	0.20	5.08	29.0	6.5
	30x30x10	AG03012HX105100	◎ ●	12	0.12	1.44	11000	0.17	5.85	0.24	6.10	32.0	6.5
AD3506	35x35x06	AD3505LX-K70(TX)	●	5	0.07	0.35	6500	0.10	3.50	0.08	2.03	24.0	7
	35x35x06	AD3505MX-K70(TX)	●	5	0.10	0.50	8000	0.12	4.20	0.10	2.54	33.0	7
	35x35x06	AD3512LX-K70(TX)	●	12	0.06	0.72	6500	0.10	3.50	0.08	2.03	24.0	7
	35x35x06	AD3512MX-K70(TX)	●	12	0.07	0.84	8000	0.12	4.20	0.10	2.54	33.0	7
AD3510	35x35x10	AD3505DB-G50(T)	◎ ●	5	0.04	0.21	4500	0.08	3.00	0.05	1.27	17.0	9
	35x35x10	AD3505LB-G50(T)	◎ ●	5	0.09	0.44	7000	0.14	5.00	0.10	2.54	28.0	9
	35x35x10	AD3505MB-G50(T)	◎ ●	5	0.10	0.50	8000	0.17	6.00	0.17	4.32	32.0	9
	35x35x10	AD3505HB-G50(T)	◎ ●	5	0.15	0.73	9500	0.20	7.20	0.20	5.08	36.0	9
	35x35x10	AD3512LB-G50(T)	◎ ●	12	0.05	0.60	7000	0.14	5.00	0.10	2.54	28.0	9
	35x35x10	AD3512MB-G50(T)	◎ ●	12	0.07	0.84	8000	0.17	6.00	0.17	4.32	32.0	9
AG3510	35x35x10	AD3512HB-G50(T)	◎ ●	12	0.11	1.32	9500	0.20	7.20	0.20	5.08	36.0	9
	35x35x10	AG03512MX105301	●	12	0.07	0.84	7500	0.16	5.50	0.13	3.40	29.0	9
AD4006	35x35x10	AG03512HX105301	●	12	0.12	1.42	9500	0.20	7.00	0.22	5.46	35.0	9
	40x40x06	AD0405LX-K90(XT1)	●	5	0.06	0.30	4500	0.11	3.78	0.05	1.14	19.5	9
	40x40x06	AD0405MX-K90(XT1)	●	5	0.07	0.35	5500	0.13	4.60	0.06	1.60	26.7	9
	40x40x06	AD0405HX-K90(XT1)	●	5	0.10	0.50	6300	0.15	5.40	0.08	2.03	30.5	9
	40x40x06	AD0412LX-K90(XT1)	●	12	0.04	0.48	4500	0.11	3.78	0.05	1.14	19.5	9
	40x40x06	AD0412MX-K90(XT1)	●	12	0.05	0.60	5500	0.13	4.60	0.06	1.60	26.7	9
	40x40x06	AD0412HX-K90(XT1)	●	12	0.07	0.84	6300	0.15	5.40	0.08	2.03	30.5	9
AG4010	40x40x10	AG04005UB107100	◎	5	0.20	1.00	8000	0.23	8.10	0.20	5.00	37.0	14
	40x40x10	AG04005XB107100	◎	5	0.26	1.30	9000	0.26	9.10	0.24	5.99	41.0	14
	40x40x10	AG04012UB107100	◎	12	0.10	1.20	8000	0.23	8.10	0.20	5.00	37.0	14
	40x40x10	AG04012XB107100	◎	12	0.13	1.56	9000	0.26	9.10	0.24	5.99	41.0	14
	40x40x10	AG04012VB107100	◎	12	0.17	2.04	10000	0.28	10.00	0.30	7.54	48.0	14
AD4010	40x40x10	AD0405LB-G70(T1)	◎ ●	5	0.08	0.40	4200	0.12	4.10	0.06	1.52	21.0	17
	40x40x10	AD0405MB-G70(T1)	◎ ●	5	0.11	0.55	4800	0.13	4.70	0.08	1.98	24.0	17
	40x40x10	AD0405HB-G70(T1)	◎ ●	5	0.19	0.95	6000	0.17	6.00	0.10	2.54	30.5	17
	40x40x10	AD0412LB-G70(T1)	◎ ●	12	0.07	0.84	4200	0.12	4.10	0.06	1.52	21.0	17
	40x40x10	AD0412MB-G70(T1)	◎ ●	12	0.08	0.96	4800	0.13	4.70	0.08	1.98	24.0	17
	40x40x10	AD0412HB-G70(T1)	◎ ●	12	0.10	1.20	6000	0.17	6.00	0.10	2.54	30.5	17
	40x40x10	AD0424LB-G70(BT1)	◎ ●	24	0.07	1.68	4200	0.12	4.10	0.06	1.52	21.0	17
	40x40x10	AD0424MB-G70(BT1)	◎ ●	24	0.08	1.92	4800	0.13	4.70	0.08	1.98	24.0	17
40x40x10	AD0424HB-G70(BT1)	◎ ●	24	0.09	2.16	6000	0.17	6.00	0.10	2.54	30.5	17	



# DC Fan

- AD 17mm ~ 172mm / Thickness : min 04mm ~ max 51mm
- AS 40mm ~ 140mm / Thickness : min 28mm ~ max 51mm
- AG 20mm ~ 127mm / Thickness : min 10mm ~ max 38mm

Bearing type: ◎=Ball ※=Sleeve ●=Hypro Bearing

	Frame size (mm)	Model No.	Bearing Type	Rated Voltage (VDC)	Current (A)	Power (W)	Rated Speed (RPM)	Maximum AirFlow (CMM) (CFM)		Maximum Pressure (InAq) (mmAq)		*Noise Level (dB/A)	Weight (g)
<b>AD4015</b>	40x40x15	AD0412LB-D51	◎	12	0.07	0.84	6000	0.18	6.47	0.16	4.09	25.8	27
	40x40x15	AD0412MB-D51	◎	12	0.09	1.08	7000	0.22	7.60	0.20	5.08	31.8	27
	40x40x15	AD0412HB-D51	◎	12	0.11	1.32	8000	0.24	8.48	0.25	6.32	36.0	27
<b>AD4015GP</b>	40x40x15	AD0412LB-D71GP(P)	◎	12	0.12	1.44	7000	0.25	9.00	0.27	6.86	31.5	24
	40x40x15	AD0412MB-D71GP(P)	◎	12	0.16	1.92	8300	0.30	10.60	0.38	9.65	37.0	24
	40x40x15	AD0412HB-D71GP(P)	◎	12	0.19	2.28	9500	0.34	12.10	0.51	12.95	40.5	24
	40x40x15	AD0412UB-D71GP(P)	◎	12	0.23	2.76	11000	0.40	14.20	0.66	16.76	44.0	24
<b>AG4015</b>	40x40x15	AG04012DB157300	◎	12	0.06	0.72	6000	0.22	7.95	0.16	4.14	29.3	21
	40x40x15	AG04012LB157300	◎	12	0.07	0.84	7000	0.26	9.36	0.22	5.69	33.2	21
	40x40x15	AG04012MB157300	◎	12	0.09	1.08	8000	0.30	10.56	0.29	7.29	36.9	21
	40x40x15	AG04012HB157300	◎	12	0.12	1.44	9000	0.34	11.99	0.35	8.94	39.6	21
	40x40x15	AG04012UB157300	◎	12	0.17	2.04	10000	0.38	13.31	0.42	10.69	41.7	21
<b>AG4020</b>	40x40x20	AG04012XB205100	◎	12	0.11	1.32	8500	0.31	11.00	0.28	7.01	35.0	28
	40x40x20	AG04012VB205100	◎	12	0.22	2.64	10000	0.43	15.10	0.45	11.43	39.4	28
<b>AD4020GP</b>	40x40x20	AD0412LB-C73GP(P)	◎	12	0.08	0.96	5000	0.18	6.40	0.15	3.81	19.0	28
	40x40x20	AD0412MB-C73GP(P)	◎	12	0.12	1.44	6200	0.23	8.00	0.23	5.84	26.0	28
	40x40x20	AD0412HB-C73GP(P)	◎	12	0.14	1.68	7200	0.27	9.40	0.32	8.13	30.0	28
	40x40x20	AD0412UB-C73GP(P)	◎	12	0.15	1.80	8200	0.31	11.00	0.40	10.16	33.0	28
<b>AS4028</b>	40x40x28	AS04012VB285B00	◎	12	1.05	12.26	22500	0.77	27.10	2.74	69.62	65.0	50
	40x40x28	AS04012VB285B01	◎	12	1.20	14.40	22500	0.77	27.10	2.74	69.62	65.0	50
	40x40x28	AS04054VB285B00	◎	54	0.27	14.58	22500	0.77	27.10	2.74	69.62	65.0	50
<b>AS4028</b>	40x40x28	AS04012MB285BA1(00LAP)	◎	12	0.35	4.20	14000	0.44	15.49	1.33	33.78	51.5	41
	40x40x28	AS04012HB285BA1(00LAP)	◎	12	0.55	6.60	16500	0.53	18.61	1.74	44.20	57.3	41
	40x40x28	AS04012UB285BA1(00LAP)	◎	12	0.62	7.44	18000	0.57	20.05	2.08	52.83	59.1	41
	40x40x28	AS04012XB285BA1(00LAP)	◎	12	0.85	10.20	20000	0.63	22.37	2.63	66.80	61.1	41
<b>AS4056</b>	40x40x56	AS04012LB565BA2	◎	12	1.03	12.36	In:16500/ Out:21000	0.81	28.80	2.68	67.95	71.0	103
	40x40x56	AS04012MB565BA2	◎	12	1.16	13.92	In:17500/ Out:22000	0.87	30.87	2.97	75.51	71.7	103
	40x40x56	AS04012HB565BA2	◎	12	1.32	15.84	In:18500/ Out:23000	0.92	32.67	3.40	86.44	72.5	103
	40x40x56	AS04012UB565BA2	◎	12	1.60	19.20	In:19500/ Out:24000	0.96	34.05	3.72	94.59	73.5	103



40x40x56



120x120x38



60X60X25



140x140x51

\*:Noise is measured at the distance of 1 meter from the axis of intake.  
Specifications are subject to change without prior notice.

Bearing type: ●=Ball ※=Sleeve ●=Hypro Bearing

	Frame size (mm)	Model No.	Bearing Type	Rated Voltage (VDC)	Current (A)	Power (W)	Rated Speed (RPM)	Maximum AirFlow (CMM) (CFM)	Maximum Pressure (InAq) (mmAq)	*Noise Level (dB/A)	Weight (g)	
AD4506	45x45x06	AD4505LX-K90(X)	●	5	0.05	0.25	4500	0.16 5.80	0.06	1.42	23.0	11
	45x45x06	AD4505MX-K90(X)	●	5	0.07	0.35	5500	0.20 7.20	0.08	2.03	27.4	11
	45x45x06	AD4505HX-K90(X)	●	5	0.10	0.50	6200	0.23 8.25	0.10	2.54	32.6	11
	45x45x06	AD4512LX-K90(X)	●	12	0.04	0.48	4500	0.16 5.80	0.06	1.42	23.0	11
	45x45x06	AD4512MX-K90(X)	●	12	0.05	0.60	5500	0.20 7.20	0.08	2.03	27.4	11
	45x45x06	AD4512HX-K90(X)	●	12	0.06	0.72	6200	0.23 8.25	0.10	2.54	32.6	11
AD4510	45x45x10	AD4505LB-G70(T)	◎ ●	5	0.09	0.45	3800	0.16 5.50	0.05	1.37	20.7	17
	45x45x10	AD4505MB-G70(T)	◎ ●	5	0.12	0.60	4500	0.18 6.50	0.07	1.83	24.8	17
	45x45x10	AD4505HB-G70(T)	◎ ●	5	0.18	0.90	5500	0.23 8.00	0.10	2.62	30.0	17
	45x45x10	AD4512LB-G70(T)	◎ ●	12	0.06	0.72	3800	0.16 5.50	0.05	1.37	20.7	17
	45x45x10	AD4512MB-G70(T)	◎ ●	12	0.06	0.72	4500	0.18 6.50	0.07	1.83	24.8	17
	45x45x10	AD4512HB-G70(T)	◎ ●	12	0.09	1.08	5500	0.23 8.00	0.10	2.62	30.0	17
	45x45x10	AD4524LB-G70(T)	◎ ●	24	0.03	0.72	3800	0.16 5.50	0.05	1.37	20.7	17
	45x45x10	AD4524MB-G70(T)	◎ ●	24	0.05	1.20	4500	0.18 6.50	0.07	1.83	24.8	17
	45x45x10	AD4524HB-G70(T)	◎ ●	24	0.06	1.44	5500	0.23 8.00	0.10	2.62	30.0	17
AD5010	50x50x10	AD0505LB-G70(T1)	◎ ●	5	0.10	0.45	3700	0.23 8.00	0.05	1.27	20.0	18
	50x50x10	AD0505MB-G70(T1)	◎ ●	5	0.13	0.65	4300	0.25 9.00	0.08	2.03	24.0	18
	50x50x10	AD0505HB-G70(T1)	◎ ●	5	0.22	1.10	5000	0.29 10.30	0.10	2.54	27.5	18
	50x50x10	AD0512LB-G70(T1)	◎ ●	12	0.08	0.96	3700	0.23 8.00	0.05	1.27	20.0	18
	50x50x10	AD0512MB-G70(T1)	◎ ●	12	0.10	1.20	4300	0.25 9.00	0.08	2.03	24.0	18
	50x50x10	AD0512HB-G70(T1)	◎ ●	12	0.12	1.44	5000	0.29 10.30	0.10	2.54	27.5	18
	50x50x10	AD0512UB-G70(T1)	◎ ●	12	0.10	1.20	5600	0.34 12.00	0.12	3.15	32.0	18
	50x50x10	AD0524LB-G70(T1)	◎ ●	24	0.05	1.20	3700	0.23 8.00	0.05	1.27	20.0	18
	50x50x10	AD0524MB-G70(T1)	◎ ●	24	0.06	1.44	4300	0.25 9.00	0.08	2.03	24.0	18
	50x50x10	AD0524HB-G70(T1)	◎ ●	24	0.08	1.92	5000	0.29 10.30	0.10	2.54	27.5	18
AD5015	50x50x15	AD5005LB-D70(T1)	◎ ●	5	0.13	0.65	3600	0.31 11.00	0.07	1.78	25.0	27
	50x50x15	AD5005MB-D70(T1)	◎ ●	5	0.19	0.95	4300	0.37 13.00	0.10	2.54	30.0	27
	50x50x15	AD5005HB-D71	◎ ●	5	0.21	1.05	4800	0.40 14.30	0.13	3.30	34.0	27
	50x50x15	AD5012LB-D70(T1)	◎ ●	12	0.07	0.84	3600	0.31 11.00	0.07	1.78	25.0	27
	50x50x15	AD5012MB-D70(T1)	◎ ●	12	0.08	0.96	4300	0.37 13.00	0.10	2.54	30.0	27
	50x50x15	AD5012HB-D70(T1)	◎ ●	12	0.11	1.32	4800	0.40 14.30	0.13	3.30	34.0	27
	50x50x15	AD5012UB-D70(T1)	◎ ●	12	0.14	1.68	5500	0.47 16.50	0.18	4.57	37.5	27
	50x50x15	AD5024MB-D71	◎ ●	24	0.05	1.20	4300	0.37 13.00	0.10	2.54	30.0	27
	50x50x15	AD5024HB-D71	◎ ●	24	0.06	1.44	4800	0.40 14.30	0.13	3.30	34.0	27
		50x50x15	AD5024UB-D71	◎ ●	24	0.08	1.90	5500	0.47 16.50	0.18	4.57	37.5



# DC Fan

- AD 17mm ~ 172mm / Thickness : min 04mm ~ max 51mm
- AS 40mm ~ 140mm / Thickness : min 28mm ~ max 51mm
- AG 20mm ~ 127mm / Thickness : min 10mm ~ max 38mm

Bearing type: ◎=Ball ※=Sleeve ●=Hypro Bearing

	Frame size (mm)	Model No.	Bearing Type	Rated Voltage (VDC)	Current (A)	Power (W)	Rated Speed (RPM)	Maximum AirFlow (CMM) (CFM)		Maximum Pressure (InAq) (mmAq)		*Noise Level (dB/A)	Weight (g)
AD5015	50x50x15	AD5024XB-D71	◎ ●	24	0.10	2.40	6300	0.53	18.90	0.20	5.08	39.1	27
	50x50x15	AD5024VB-D71	◎ ●	24	0.12	2.88	7000	0.63	22.30	0.27	6.81	42.3	27
	50x50x20	AD5012LB-C71	◎ ●	12	0.08	0.96	3600	0.34	12.00	0.08	2.03	24.0	32
	50x50x20	AD5012MB-C71	◎ ●	12	0.10	1.20	4300	0.42	15.00	0.11	2.79	29.0	32
	50x50x20	AD5012HB-C71	◎ ●	12	0.13	1.56	5000	0.50	17.50	0.15	3.81	33.7	32
AD5020	50x50x20	AD5012UB-C71	◎ ●	12	0.19	2.22	6000	0.57	20.00	0.21	5.33	38.4	32
	50x50x20	AD5024LB-C71	◎ ●	24	0.06	1.44	3600	0.34	12.00	0.08	2.03	24.0	32
	50x50x20	AD5024MB-C71	◎ ●	24	0.08	1.92	4300	0.42	15.00	0.11	2.79	29.0	32
	50x50x20	AD5024HB-C71	◎ ●	24	0.11	2.64	5000	0.50	17.50	0.15	3.81	33.7	32
	50x50x20	AD5024UB-C71	◎ ●	24	0.15	3.60	6000	0.57	20.00	0.21	5.33	38.4	32
AD6010	60x60x10	AD06005DB10A000	◎ ●	5	0.12	0.60	2800	0.31	11.12	0.05	1.22	22.3	39
	60x60x10	AD06005LB10A000	◎ ●	5	0.17	0.85	3400	0.40	14.22	0.07	1.83	27.5	39
	60x60x10	AD06005MB10A000	◎ ●	5	0.33	1.65	4000	0.46	16.11	0.10	2.41	31.8	39
	60x60x10	AD06012DB10A000	◎ ●	12	0.07	0.84	2800	0.31	11.12	0.05	1.22	22.3	39
	60x60x10	AD06012LB10A000	◎ ●	12	0.10	1.20	3400	0.40	14.22	0.07	1.83	27.5	39
	60x60x10	AD06012MB10A000	◎ ●	12	0.17	2.04	4000	0.46	16.11	0.10	2.41	31.8	39
	60x60x10	AD06012HB10A000	◎ ●	12	0.23	2.76	4600	0.56	19.74	0.13	3.40	36.6	39
AG6015	60x60x15	AG06005DB159101	◎ ●	5	0.10	0.50	3000	0.34	11.87	0.09	2.21	23.2	39
	60x60x15	AG06005LB159101	◎ ●	5	0.13	0.65	3500	0.41	14.35	0.12	3.10	27.4	39
	60x60x15	AG06005MB159101	◎ ●	5	0.18	0.95	4000	0.46	16.23	0.16	4.11	31.7	39
	60x60x15	AG06005HB159101	◎ ●	5	0.22	1.40	4500	0.51	18.18	0.19	4.93	35.5	39
	60x60x15	AG06012DB159101	◎ ●	12	0.06	0.48	3000	0.34	11.87	0.09	2.21	23.2	39
	60x60x15	AG06012LB159101	◎ ●	12	0.07	0.72	3500	0.41	14.35	0.12	3.10	27.4	39
	60x60x15	AG06012MB159101	◎ ●	12	0.09	0.96	4000	0.46	16.23	0.16	4.11	31.7	39
	60x60x15	AG06012HB159101	◎ ●	12	0.11	1.20	4500	0.51	18.18	0.19	4.93	35.5	39
	60x60x15	AG06012UB159101	◎ ●	12	0.14	1.68	5000	0.58	20.65	0.24	6.15	38.2	39
	60x60x15	AG06012XB159101	◎ ●	12	0.20	3.12	6000	0.71	25.10	0.34	8.69	43.2	39
	60x60x15	AG06024DB159101	◎ ●	24	0.03	0.96	3000	0.34	11.87	0.09	2.21	23.2	39
	60x60x15	AG06024LB159101	◎ ●	24	0.04	1.20	3500	0.41	14.35	0.12	3.10	27.4	39
	60x60x15	AG06024MB159101	◎ ●	24	0.05	1.68	4000	0.46	16.23	0.16	4.11	31.7	39
60x60x15	AG06024HB159101	◎ ●	24	0.07	1.92	4500	0.51	18.18	0.19	4.93	35.5	39	
60x60x15	AG06024UB159101	◎ ●	24	0.08	2.40	5000	0.58	20.65	0.24	6.15	38.2	39	
60x60x15	AG06024XB159101	◎ ●	24	0.16	3.84	6000	0.71	25.10	0.34	8.69	43.2	39	
AG6020	60x60x20	AG06012DB207300	◎ ●	12	0.16	1.92	4000	0.56	19.73	0.16	4.17	35.1	56
	60x60x20	AG06012LB207300	◎ ●	12	0.18	2.16	4500	0.61	21.42	0.20	5.16	36.6	56



\*:Noise is measured at the distance of 1 meter from the axis of intake.  
Specifications are subject to change without prior notice.

Bearing type: ◎=Ball ※=Sleeve ●=Hypro Bearing

	Frame size (mm)	Model No.	Bearing Type	Rated Voltage (VDC)	Current (A)	Power (W)	Rated Speed (RPM)	Maximum AirFlow (CMM) (CFM)	Maximum Pressure (InAq) (mmAq)	*Noise Level (dB/A)	Weight (g)
<b>AG6020</b>	60x60x20	AG06012MB207300	◎ ●	12	0.20	2.40	5000	0.71 25.00	0.26 6.60	39.0	56
	60x60x20	AG06012HB207300	◎ ●	12	0.23	2.76	5500	0.82 29.14	0.32 8.20	42.1	56
	60x60x20	AG06012UB207300	◎ ●	12	0.28	3.36	6000	0.86 30.50	0.37 9.40	43.5	56
	60x60x20	AG06024DB207300	◎ ●	24	0.10	2.40	4000	0.56 19.73	0.16 4.17	35.1	56
	60x60x20	AG06024LB207300	◎ ●	24	0.12	2.88	4500	0.61 21.42	0.20 5.16	36.6	56
	60x60x20	AG06024MB207300	◎ ●	24	0.14	3.36	5000	0.71 25.00	0.26 6.60	39.0	56
	60x60x20	AG06024HB207300	◎ ●	24	0.16	3.84	5500	0.82 29.14	0.32 8.20	42.1	56
	60x60x20	AG06024UB207300	◎ ●	24	0.19	4.56	6000	0.86 30.50	0.37 9.40	43.5	56
	60x60x20	AG06012DX207600	◎ ●	12	0.16	1.92	4000	0.56 19.73	0.16 4.17	35.1	56
	60x60x20	AG06012LX207600	◎ ●	12	0.18	2.16	4500	0.61 21.42	0.20 5.16	36.6	56
	60x60x20	AG06012MX207600	◎ ●	12	0.22	2.64	5000	0.71 25.00	0.26 6.60	39.0	56
	60x60x20	AG06012HX207600	◎ ●	12	0.26	3.12	5500	0.82 29.14	0.32 8.20	42.1	56
	60x60x20	AG06012UX207600	◎ ●	12	0.32	3.84	6000	0.86 30.50	0.37 9.40	43.5	56
	<b>AG6025</b>	60x60x25	AG06005DB257B03	◎ ●	5	0.06	0.30	2000	0.28 9.92	0.05 1.32	17.5
60x60x25		AG06005LB257B03	◎ ●	5	0.14	0.70	3000	0.44 15.50	0.11 2.82	23.6	62
60x60x25		AG06005MB257B03	◎ ●	5	0.26	1.30	4000	0.60 21.03	0.20 5.13	29.3	62
60x60x25		AG06012DB257B03	◎ ●	12	0.04	0.48	2000	0.28 9.92	0.05 1.32	17.5	62
60x60x25		AG06012LB257B03	◎ ●	12	0.06	0.72	3000	0.44 15.50	0.11 2.82	23.6	62
60x60x25		AG06012MB257B03	◎ ●	12	0.10	1.20	4000	0.60 21.03	0.20 5.13	29.3	62
60x60x25		AG06012HB257B03	◎ ●	12	0.16	1.92	5000	0.74 26.18	0.30 7.57	38.4	62
60x60x25		AG06012UB257B03	◎ ●	12	0.25	3.00	6000	0.90 31.64	0.45 11.30	42.7	62
60x60x25		AG06012XB257B03	◎ ●	12	0.38	4.56	7000	1.05 36.98	0.62 15.80	46.7	62
60x60x25		AG06024DB257B03	◎ ●	24	0.03	0.72	2000	0.28 9.92	0.05 1.32	17.5	62
60x60x25		AG06024LB257B03	◎ ●	24	0.04	0.96	3000	0.44 15.50	0.11 2.82	23.6	62
60x60x25		AG06024MB257B03	◎ ●	24	0.06	1.44	4000	0.60 21.03	0.20 5.13	29.3	62
60x60x25		AG06024HB257B03	◎ ●	24	0.10	2.40	5000	0.74 26.18	0.30 7.57	38.4	62
60x60x25		AG06024UB257B03	◎ ●	24	0.12	2.88	6000	0.90 31.64	0.45 11.30	42.7	62
60x60x25	AG06024XB257B03	◎ ●	24	0.18	4.32	7000	1.05 36.98	0.62 15.80	46.7	62	
<b>AS6038-7</b>	60x60x38	AS06012HB387100	◎	12	1.45	17.40	13000	1.93 68.37	1.95 49.63	61.4	125
	60x60x38	AS06012UB387100	◎	12	2.10	25.20	14500	2.16 76.18	2.42 61.34	64.1	125
	60x60x38	AS06012XB387100	◎	12	2.70	32.40	16000	2.42 85.54	2.95 75.01	66.7	125
	60x60x38	AS06024HB387100	◎	24	0.73	17.52	13000	1.93 68.37	1.95 49.63	61.4	125
	60x60x38	AS06024UB387100	◎	24	0.92	22.08	14500	2.16 76.18	2.42 61.34	64.1	125
	60x60x38	AS06024XB387100	◎	24	1.25	30.00	16000	2.42 85.54	2.95 75.01	66.7	125
	60x60x38	AS06048HB387100	◎	48	0.36	17.28	13000	1.93 68.37	1.95 49.63	61.4	125



# DC Fan

- AD 17mm ~ 172mm / Thickness : min 04mm ~ max 51mm
- AS 40mm ~ 140mm / Thickness : min 28mm ~ max 51mm
- AG 20mm ~ 127mm / Thickness : min 10mm ~ max 38mm

Bearing type: ◎=Ball ※=Sleeve ●=Hypro Bearing

	Frame size (mm)	Model No.	Bearing Type	Rated Voltage (VDC)	Current (A)	Power (W)	Rated Speed (RPM)	Maximum AirFlow (CMM) (CFM)	Maximum Pressure (InAq) (mmAq)	*Noise Level (dB/A)	Weight (g)
AS6038-7	60x60x38	AS06048UB387100	◎	48	0.47	22.56	14500	2.16 76.18	2.42 61.34	64.1	125
	60x60x38	AS06048XB387100	◎	48	0.63	30.24	16000	2.42 85.54	2.95 75.01	66.7	125
	60x60x38	AS06012LB385BB0	◎	12	0.45	5.40	10000	1.06 37.40	1.20 30.40	53.7	143
	60x60x38	AS06012MB385BB0	◎	12	0.70	8.40	12500	1.32 46.50	1.79 45.47	60.1	143
	60x60x38	AS06012HB385BB0	◎	12	1.13	13.50	15000	1.60 56.70	2.51 63.75	64.4	143
AS6038-5	60x60x38	AS06012UB385BB0	◎	12	1.70	20.40	17500	1.86 65.60	3.19 80.90	68.2	143
	60x60x38	AS06024LB385BB0	◎	24	0.24	5.76	10000	1.06 37.40	1.20 30.40	53.7	143
	60x60x38	AS06024MB385BB0	◎	24	0.37	8.88	12500	1.32 46.50	1.79 45.47	60.1	143
	60x60x38	AS06024HB385BB0	◎	24	0.58	13.92	15000	1.60 56.70	2.51 63.75	64.4	143
	60x60x38	AS06024UB385BB0	◎	24	0.90	21.60	17500	1.86 65.60	3.19 80.90	68.2	143
AD6038	60x60x38	AD0612MB-F73DS	◎	12	0.28	3.36	6000	1.03 36.56	0.56 14.27	49.8	109
	60x60x38	AD0612HB-F73DS	◎	12	0.64	7.68	8000	1.37 48.37	0.98 24.99	58.0	109
	60x60x38	AD0612UB-F73DS	◎	12	1.40	16.80	10000	1.73 61.00	1.20 30.48	63.6	109
	60x60x38	AD0624MB-F73DS	◎	24	0.16	3.84	6000	1.03 36.56	0.56 14.27	49.8	109
	60x60x38	AD0624HB-F73DS	◎	24	0.34	8.16	8000	1.37 48.37	0.98 24.99	58.0	109
	60x60x38	AD0624UB-F73DS	◎	24	0.70	16.80	10000	1.73 61.00	1.20 30.48	63.6	109
	60x60x38	AD0648MB-F73DS	◎	48	0.09	4.32	6000	1.03 36.56	0.56 14.27	49.8	109
	60x60x38	AD0648HB-F73DS	◎	48	0.20	9.60	8000	1.37 48.37	0.98 24.99	58.0	109
	60x60x38	AD0648UB-F73DS	◎	48	0.38	18.24	10000	1.73 61.00	1.20 30.48	63.6	109
AS6056	60x60x56	AS06012HB567BB0	◎	12	2.6	31.20	In:16500/ Out:15500	2.17 76.62	3.42 86.79	75.1	172
AS6076	60x60x76	AS06012UB765300	◎	12	2.6	31.20	in:11000/ out:13000	2.29 81.07	2.44 61.98	67.9	260
	60x60x76	AS06012HB765300	◎	12	1.6	19.20	in:11500/ out:7000	1.88 66.45	2.01 51.05	64.5	260
AD7015-9	70x70x15	AD0712DB-D91	◎※●	12	0.05	0.60	2500	0.50 17.60	0.07 1.78	23.8	50
	70x70x15	AD0712LB-D91	◎※●	12	0.06	0.72	3000	0.61 21.40	0.10 2.49	27.6	50
	70x70x15	AD0712MB-D91	◎※●	12	0.11	1.32	3700	0.74 26.30	0.15 3.76	33.7	50
	70x70x15	AD0712HB-D91	◎※●	12	0.18	2.16	4600	0.93 32.70	0.22 5.64	40.6	50
	70x70x15	AD0712UB-D91	◎※●	12	0.26	3.12	5500	1.14 40.45	0.26 6.71	44.4	50
AG7020	70x70x20	AG07012HB209300(OP)	◎	12	0.35	4.20	4500	1.15 40.78	0.26 6.60	41.5	62
	70x70x20	AG07012UB209300(OP)	◎	12	0.40	4.80	5000	1.27 44.80	0.31 7.87	42.9	62
AD7025GL	70x70x25	AD0712DB-A70GL(T)	◎●	12	0.07	0.84	2500	0.62 21.90	0.08 2.03	21.0	61
	70x70x25	AD0712LB-A70GL(T)	◎●	12	0.10	1.20	3300	0.80 28.20	0.15 3.81	31.6	61
	70x70x25	AD0712MB-A70GL(T)	◎●	12	0.12	1.44	3800	0.91 32.30	0.18 4.47	33.6	61



40x40x56



120x120x38



60X60X25



140x140x51

\*:Noise is measured at the distance of 1 meter from the axis of intake.  
Specifications are subject to change without prior notice.

Bearing type: ○=Ball ※=Sleeve ●=Hypro Bearing

	Frame size (mm)	Model No.	Bearing Type	Rated Voltage (VDC)	Current (A)	Power (W)	Rated Speed (RPM)	Maximum AirFlow (CMM) (CFM)	Maximum Pressure (InAq) (mmAq)	*Noise Level (dB/A)	Weight (g)
AD7025GL	70x70x25	AD0712HB-A70GL(T)	○ ●	12	0.18	2.16	4200	1.00 35.50	0.22 5.51	38.0	61
	70x70x25	AD0712UB-A70GL(T)	○ ●	12	0.20	2.40	4500	1.10 38.90	0.25 6.25	38.9	61
	70x70x25	AD0724MB-A70GL(T)	○ ●	24	0.09	2.40	3800	0.91 32.30	0.18 4.47	33.6	61
	70x70x25	AD0724HB-A70GL(T)	○ ●	24	0.11	3.12	4200	1.00 35.50	0.22 5.51	38.0	61
AD7025GP	70x70x25	AD0712LB-A73GP	○	12	0.17	2.04	3700	1.06 37.30	0.18 4.52	36.8	90
	70x70x25	AD0712MB-A73GP	○	12	0.22	2.62	4200	1.19 42.00	0.22 5.64	40.6	90
	70x70x25	AD0712HB-A73GP	○	12	0.30	3.60	4700	1.33 46.90	0.30 7.62	43.0	90
	70x70x25	AD0712UB-A73GP	○	12	0.33	3.96	5000	1.41 49.70	0.38 9.65	44.0	90
AD8015-7	80x80x15	AD0805MB-D73(N75)	○ ●	5	0.13	0.65	2440	0.57 20.30	0.07 1.85	27.5	62
	80x80x15	AD0805HB-D73(N75)	○ ●	5	0.22	1.10	3200	0.78 27.50	0.13 3.28	35.4	62
	80x80x15	AD0812LB-D73(N75)	○ ●	12	0.04	0.48	2000	0.49 17.29	0.05 1.37	21.6	62
	80x80x15	AD0812MB-D73(N75)	○ ●	12	0.05	0.60	2440	0.57 20.30	0.07 1.85	27.5	62
	80x80x15	AD0812HB-D73(N75)	○ ●	12	0.11	1.32	3200	0.78 27.50	0.13 3.28	35.4	62
	80x80x15	AD0812UB-D73(N75)	○ ●	12	0.16	1.92	3800	0.92 32.59	0.19 4.72	40.7	62
	80x80x15	AD0824MB-D73(NEUM)	○ ●	24	0.05	1.20	2440	0.57 20.30	0.07 1.85	27.5	62
	80x80x15	AD0824HB-D73(NEUM)	○ ●	24	0.08	1.92	3200	0.78 27.50	0.13 3.28	35.4	62
	80x80x15	AD0824UB-D73(NEUM)	○ ●	24	0.08	1.92	3800	0.92 32.59	0.19 4.72	40.7	62
	80x80x15	AD0824XB-D73(NEUM)	○ ●	24	0.10	2.40	4300	1.04 36.85	0.23 5.74	43.3	62
AD8015GP	80x80x15	AD0812LB-D93GP	○ ●	12	0.07	0.84	2000	0.55 19.48	0.05 1.30	24.4	63
	80x80x15	AD0812MB-D93GP	○ ●	12	0.11	1.32	2500	0.68 23.95	0.08 2.01	30.7	63
	80x80x15	AD0812HB-D93GP	○ ●	12	0.13	1.56	3000	0.82 28.94	0.11 2.87	36.7	63
	80x80x15	AD0812UB-D93GP	○ ●	12	0.18	2.16	3500	1.01 35.53	0.15 3.89	40.7	63
	80x80x15	AD0812XB-D93GP	○ ●	12	0.29	3.48	4000	1.14 40.40	0.20 5.08	44.0	63
AD8015-7(T)	80x80x15	AD0812LB-D76(T)	○ ●	12	0.06	0.72	2000	0.49 17.29	0.05 1.37	21.6	62
	80x80x15	AD0812MB-D76(T)	○ ●	12	0.08	0.96	2440	0.57 20.30	0.07 1.85	27.5	62
	80x80x15	AD0812HB-D76(T)	○ ●	12	0.11	1.32	3200	0.78 27.49	0.13 3.28	35.4	62
AD8020	80x80x20	AD08012MX207600	●	12	0.08	0.96	2500	0.76 26.79	0.12 3.15	29.8	75
	80x80x20	AD08012HX207600	●	12	0.12	1.44	3000	0.93 33.03	0.18 4.60	34.6	75
	80x80x20	AD08012UX207600	●	12	0.22	2.64	3600	1.10 38.84	0.24 6.17	39.6	75
AD8020	80x80x20	AD0805MB-C73(N75)	○ ●	5	0.17	0.85	2440	0.58 20.66	0.11 2.72	28.1	68
	80x80x20	AD0805HB-C73(N75)	○ ●	5	0.24	1.20	3000	0.75 26.41	0.16 4.01	34.4	68
	80x80x20	AD0812MB-C73(N75)	○ ●	12	0.07	0.84	2440	0.58 20.66	0.11 2.72	28.1	68
	80x80x20	AD0812HB-C73(N75)	○ ●	12	0.13	1.56	3000	0.75 26.41	0.16 4.01	34.4	68
	80x80x20	AD0812UB-C73(N75)	○ ●	12	0.25	3.00	4200	1.06 37.38	0.30 7.62	43.3	68
	80x80x20	AD0824MB-C73(NEUM)	○ ●	24	0.05	1.20	2440	0.58 20.66	0.11 2.72	28.1	68



# DC Fan

- AD 17mm ~ 172mm / Thickness : min 04mm ~ max 51mm
- AS 40mm ~ 140mm / Thickness : min 28mm ~ max 51mm
- AG 20mm ~ 127mm / Thickness : min 10mm ~ max 38mm

Bearing type: ◎=Ball ※=Sleeve ●=Hypro Bearing

	Frame size (mm)	Model No.	Bearing Type	Rated Voltage (VDC)	Current (A)	Power (W)	Rated Speed (RPM)	Maximum AirFlow (CMM) (CFM)	Maximum Pressure (InAq) (mmAq)	*Noise Level (dB/A)	Weight (g)	
<b>AD8020</b>	80x80x20	AD0824HB-C73(NEUM)	◎ ●	24	0.08	1.92	3000	0.75 26.41	0.16 4.01	34.4	68	
<b>AD8020(PWM)</b>	80x80x20	AD0812LB-C7B	◎ ●	12	0.05	0.60	2000	0.48 16.83	0.07 1.78	23.2	68	
	80x80x20	AD0812MB-C7B	◎ ●	12	0.07	0.84	2500	0.60 21.10	0.11 2.79	28.2	68	
	80x80x20	AD0812HB-C7B	◎ ●	12	0.10	1.20	3000	0.75 26.41	0.16 4.01	34.4	68	
	80x80x20	AD0812UB-C7B	◎ ●	12	0.14	1.68	3500	0.87 30.75	0.21 5.28	38.4	68	
	80x80x20	AD0812XB-C7B	◎ ●	12	0.18	2.16	4000	1.00 35.38	0.27 6.96	41.9	68	
	80x80x20	AD0812VB-C7B	◎ ●	12	0.20	2.40	4500	1.08 38.20	0.33 8.48	44.8	68	
	<b>AD8020(T)</b>	80x80x20	AD0812LB-C76(T)	◎ ●	12	0.06	0.72	2100	0.50 17.61	0.08 1.93	23.9	68
80x80x20		AD0812MB-C76(T)	◎ ●	12	0.08	0.96	2500	0.60 21.10	0.11 2.79	28.2	68	
80x80x20		AD0812HB-C76(T)	◎ ●	12	0.13	1.56	3100	0.78 27.41	0.17 4.27	35.2	68	
80x80x20		AD0812UB-C76(T)	◎ ●	12	0.18	2.16	3750	0.94 33.34	0.24 6.05	40.2	68	
80x80x20		AD0824MB-C76(T)	◎ ●	24	0.04	0.96	2500	0.60 21.10	0.11 2.79	28.2	68	
80x80x20		AD0824HB-C76(T)	◎ ●	24	0.06	1.44	3100	0.78 27.41	0.17 4.27	35.2	68	
<b>AD8025(3PHASES)</b>	80x80x25	AD08012UB257BZ0	◎	12	0.20	2.40	4000	1.44 51.05	0.29 7.24	41.8	86	
	80x80x25	AD08012XB257BZ0	◎	12	0.29	3.48	4500	1.59 56.10	0.36 9.14	48.0	86	
<b>AS8025</b>	80x80x25	AS08012XB259B00	◎	12	0.48	5.76	4500	1.80 63.51	0.33 8.41	50.3	86	
<b>AD8025GP</b>	80x80x25	AD0812HB-A73GP(11)	◎	12	0.17	2.04	3500	1.35 47.55	0.20 5.03	40.4	95	
	80x80x25	AD0812UB-A7BGP(11)	◎	12	0.27	3.24	4000	1.54 54.29	0.25 6.38	44.8	95	
	80x80x25	AD0812XB-A7BGP(11)	◎	12	0.35	4.20	4500	1.74 61.42	0.32 8.05	47.0	95	
	80x80x25	AD0812VB-A7BGP(11)	◎	12	0.53	6.36	5000	1.95 68.86	0.39 9.86	48.9	95	
	80x80x25	AD0824HB-A7BGP(21)	◎	24	0.10	2.40	3500	1.35 47.55	0.20 5.03	40.4	95	
	80x80x25	AD0824UB-A7BGP(21)	◎	24	0.13	3.12	4000	1.54 54.29	0.25 6.38	44.8	95	
	80x80x25	AD0824XB-A7BGP(21)	◎	24	0.18	4.32	4500	1.74 61.42	0.32 8.05	47.0	95	
	80x80x25	AD0824VB-A7BGP(21)	◎	24	0.26	6.24	5000	1.95 68.86	0.39 9.86	48.9	95	
	80x80x25	AD0848HB-A7BGP(21)	◎	48	0.07	3.36	3500	1.35 47.55	0.20 5.03	40.4	95	
	80x80x25	AD0848UB-A7BGP(21)	◎	48	0.10	4.80	4000	1.54 54.29	0.25 6.38	44.8	95	
	80x80x25	AD0848XB-A7BGP(21)	◎	48	0.12	5.76	4500	1.74 61.42	0.32 8.05	47.0	95	
	80x80x25	AD0848VB-A7BGP(21)	◎	48	0.13	6.24	5000	1.95 68.86	0.39 9.86	48.9	95	
	<b>AD8025(IC)</b>	80x80x25	AD08012LB257B04	◎ ●	12	0.04	0.48	2000	0.69 24.39	0.07 1.73	23.6	72
		80x80x25	AD08012MB257B04	◎ ●	12	0.08	0.98	2500	0.88 30.92	0.11 2.84	30.0	72
80x80x25		AD08012HB257B04	◎ ●	12	0.10	1.20	3000	1.05 37.24	0.16 3.99	35.8	72	
80x80x25		AD08012UB257B04	◎ ●	12	0.18	2.16	3600	1.28 45.29	0.22 5.49	42.0	72	
80x80x25		AD08012XB257B04	◎ ●	12	0.30	3.60	4500	1.61 56.83	0.35 8.89	48.1	72	
80x80x25		AD08024MB257B04	◎ ●	24	0.05	1.20	2500	0.88 30.92	0.11 2.84	30.0	72	
80x80x25		AD08024HB257B04	◎ ●	24	0.06	1.44	3000	1.05 37.24	0.16 3.99	35.8	72	



\*:Noise is measured at the distance of 1 meter from the axis of intake.  
Specifications are subject to change without prior notice.

Bearing type: ◎=Ball ※=Sleeve ●=Hypro Bearing

	Frame size (mm)	Model No.	Bearing Type	Rated Voltage (VDC)	Current (A)	Power (W)	Rated Speed (RPM)	Maximum AirFlow (CMM)	Maximum AirFlow (CFM)	Maximum Pressure (InAq)	Maximum Pressure (mmAq)	*Noise Level (dB/A)	Weight (g)
<b>AD8025(IC)</b>	80x80x25	AD08024UB257B04	◎ ●	24	0.09	2.16	3600	1.28	45.29	0.22	5.49	42.0	72
	80x80x25	AD08024XB257B04	◎ ●	24	0.18	4.32	4500	1.61	56.83	0.35	8.89	48.1	72
<b>AD8025(T)</b>	80x80x25	AD08012DB257604	◎ ●	12	0.03	0.36	1600	0.56	19.89	0.05	1.17	18.3	72
	80x80x25	AD08012LB257604	◎ ●	12	0.05	0.60	2000	0.69	24.39	0.07	1.73	23.6	72
	80x80x25	AD08012MB257604	◎ ●	12	0.08	0.96	2500	0.88	30.92	0.11	2.84	30.0	72
	80x80x25	AD08012HB257604	◎ ●	12	0.15	1.80	3000	1.05	37.24	0.16	3.99	35.8	72
	80x80x25	AD08012UB257604	◎ ●	12	0.18	2.16	3400	1.23	43.50	0.20	5.18	40.5	72
	80x80x25	AD08024MB257604	◎ ●	24	0.04	0.96	2500	0.88	30.92	0.11	2.84	30.0	72
	80x80x25	AD08024HB257604	◎ ●	24	0.06	1.44	3000	1.05	37.24	0.16	3.99	35.8	72
	80x80x25	AD08024UB257604	◎ ●	24	0.09	2.16	3400	1.23	43.50	0.20	5.18	40.5	72
	<b>AD8032</b>	80x80x32	AD08012DB327B00	◎	12	0.13	1.56	3000	1.06	37.50	0.20	4.98	35.9
80x80x32		AD08012LB327B00	◎	12	0.25	3.00	3800	1.37	48.57	0.32	8.03	42.8	135
80x80x32		AD08012MB327B00	◎	12	0.35	4.20	4600	1.66	58.57	0.46	11.63	47.7	135
80x80x32		AD08012HB327B00	◎	12	0.50	6.00	5400	1.97	69.47	0.61	15.49	53.0	135
80x80x32		AD08012UB327B00	◎	12	0.76	9.12	6200	2.26	79.82	0.80	20.42	55.8	135
80x80x32		AD08012XB327B00	◎	12	1.15	13.80	7000	2.59	91.40	1.00	25.30	59.5	135
80x80x32		AD08024DB327B00	◎	24	0.10	2.40	3000	1.06	37.50	0.20	4.98	35.9	135
80x80x32		AD08024LB327B00	◎	24	0.12	2.88	3800	1.37	48.57	0.32	8.03	42.8	135
80x80x32		AD08024MB327B00	◎	24	0.18	4.32	4600	1.66	58.57	0.46	11.63	47.7	135
80x80x32		AD08024HB327B00	◎	24	0.28	6.72	5400	1.97	69.47	0.61	15.49	53.0	135
80x80x32		AD08024UB327B00	◎	24	0.44	10.56	6200	2.26	79.82	0.80	20.42	55.8	135
80x80x32		AD08024XB327B00	◎	24	0.56	13.44	7000	2.59	91.40	1.00	25.30	59.5	135
<b>AD8032</b>		80x80x32	AD0812LB-Y5B(N)	◎	12	0.11	1.32	3000	1.12	39.58	0.19	4.75	35.5
	80x80x32	AD0812MB-Y5B(N)	◎	12	0.16	1.92	3400	1.27	44.76	0.24	6.12	36.7	108
	80x80x32	AD0812HB-Y5B(N)	◎	12	0.19	2.28	3800	1.39	49.00	0.29	7.42	42.4	108
	80x80x32	AD0812UB-Y5B(NCU)	◎	12	0.23	2.76	4200	1.57	55.39	0.32	8.03	44.0	108
	80x80x32	AD0824LB-Y53(N)	◎	24	0.07	1.68	3000	1.12	39.58	0.19	4.75	35.5	108
	80x80x32	AD0824MB-Y53(N)	◎	24	0.10	2.40	3400	1.27	44.76	0.24	6.12	36.7	108
	80x80x32	AD0824HB-Y53(N)	◎	24	0.12	2.88	3800	1.39	49.00	0.29	7.42	42.4	108
	80x80x32	AD0824UB-Y53(NCU)	◎	24	0.15	3.60	4200	1.57	55.39	0.32	8.03	44.0	108
	80x80x32	AD0848LB-Y53	◎	48	0.06	2.88	3000	1.12	39.58	0.19	4.75	35.5	108
	80x80x32	AD0848MB-Y53	◎	48	0.07	3.36	3400	1.27	44.76	0.24	6.12	36.7	108
	80x80x32	AD0848HB-Y53	◎	48	0.08	3.84	3800	1.39	49.00	0.29	7.42	42.4	108
	80x80x32	AD0848UB-Y53(CU)	◎	48	0.11	5.28	4200	1.57	55.39	0.32	8.03	44.0	108
<b>AS8038-5</b>	80x80x38	AS08012LB385BB2	◎	12	1.42	17.04	9500	2.67	94.38	1.82	46.25	64.4	219



# DC Fan

- AD 17mm ~ 172mm / Thickness : min 04mm ~ max 51mm
- AS 40mm ~ 140mm / Thickness : min 28mm ~ max 51mm
- AG 20mm ~ 127mm / Thickness : min 10mm ~ max 38mm

Bearing type: ◎=Ball ※=Sleeve ●=Hypro Bearing

	Frame size (mm)	Model No.	Bearing Type	Rated Voltage (VDC)	Current (A)	Power (W)	Rated Speed (RPM)	Maximum AirFlow (CMM) (CFM)		Maximum Pressure (InAq) (mmAq)		*Noise Level (dB/A)	Weight (g)
AS8038-5	80x80x38	AS08012MB385BB2	◎	12	2.50	30.00	11500	3.27	115.44	2.69	68.35	68.8	219
	80x80x38	AS08012HB385BB2	◎	12	4.10	49.20	13500	3.84	135.79	3.94	100.00	73.1	219
	80x80x38	AS08024LB385BB2	◎	24	0.75	18.00	9500	2.67	94.38	1.82	46.25	64.4	219
	80x80x38	AS08024MB385BB2	◎	24	1.19	28.56	11500	3.27	115.44	2.69	68.35	68.8	219
	80x80x38	AS08024HB385BB2	◎	24	1.88	45.12	13500	3.84	135.79	3.94	100.00	73.1	219
	80x80x38	AS08048LB385BB2	◎	48	0.40	19.20	9500	2.67	94.38	1.82	46.25	64.4	219
	80x80x38	AS08048MB385BB2	◎	48	0.64	30.72	11500	3.27	115.44	2.69	68.35	68.8	219
	80x80x38	AS08048HB385BB2	◎	48	1.14	54.72	13500	3.84	135.79	3.94	100.00	73.1	219
	AS8038-9	80x80x38	AS08012DB389B00	◎	12	0.80	9.60	6000	2.17	76.77	0.83	21.11	53.1
80x80x38		AS08012LB389B00	◎	12	1.25	15.00	7000	2.54	89.82	1.26	32.00	60.0	212
80x80x38		AS08012MB389B00	◎	12	1.80	21.60	8000	2.93	103.60	1.65	41.91	60.9	212
80x80x38		AS08012HB389B00	◎	12	2.50	30.00	9000	3.31	117.09	2.01	51.16	64.3	212
80x80x38		AS08024DB389B00	◎	24	0.37	8.88	6000	2.17	76.77	0.83	21.11	53.1	212
80x80x38		AS08024LB389B00	◎	24	0.59	14.16	7000	2.54	89.82	1.26	32.00	60.0	212
80x80x38		AS08024MB389B00	◎	24	0.80	19.20	8000	2.93	103.60	1.65	41.91	60.9	212
80x80x38		AS08024HB389B00	◎	24	1.12	26.88	9000	3.31	117.09	2.01	51.16	64.3	212
80x80x38		AS08048DB389B00	◎	48	0.21	10.08	6000	2.17	76.77	0.83	21.11	53.1	212
80x80x38		AS08048LB389B00	◎	48	0.32	15.36	7000	2.54	89.82	1.26	32.00	60.0	212
80x80x38		AS08048MB389B00	◎	48	0.43	20.64	8000	2.93	103.60	1.65	41.91	60.9	212
80x80x38		AS08048HB389B00	◎	48	0.57	27.36	9000	3.31	117.09	2.01	51.16	64.3	212
AS8038-5	80x80x38	AS08012LB385BB1	◎	12	1.15	13.80	12000	2.37	83.92	2.54	64.52	62.5	208
	80x80x38	AS08012MB385BB1	◎	12	1.70	20.40	14000	2.77	98.03	3.39	86.11	65.6	208
	80x80x38	AS08012HB385BB1	◎	12	2.34	28.08	16000	3.15	111.26	4.31	109.50	70.2	208
	80x80x38	AS08012UB385BB1	◎	12	3.55	42.60	18000	3.59	126.78	4.56	115.93	74.9	208
AD8038DS	80x80x38	AD0812HB-F7BDS(M)	◎	12	0.54	6.48	4800	1.98	70.13	0.50	12.75	54.1	195
	80x80x38	AD0812UB-F7BDS(M)	◎	12	0.86	10.32	5500	2.31	81.80	0.65	16.46	56.9	195
	80x80x38	AD0812XB-F7BDS(M)	◎	12	1.25	15.00	6200	2.60	91.72	0.83	21.11	60.5	195
	80x80x38	AD0812VB-F7BDS(M)	◎	12	2.05	24.60	7000	2.99	105.70	1.09	27.76	62.3	195
	80x80x38	AD0824HB-F7BDS(M)	◎	24	0.30	7.20	4800	1.98	70.13	0.50	12.75	54.1	195
	80x80x38	AD0824UB-F7BDS(M)	◎	24	0.44	10.56	5500	2.31	81.80	0.65	16.46	56.9	195
	80x80x38	AD0824XB-F7BDS(M)	◎	24	0.54	12.96	6200	2.60	91.72	0.83	21.11	60.5	195
	80x80x38	AD0848HB-F7BDS(M)	◎	48	0.15	7.20	4800	1.98	70.13	0.50	12.75	54.1	195
	80x80x38	AD0848UB-F7BDS(M)	◎	48	0.23	11.04	5500	2.31	81.80	0.65	16.46	56.9	195
	80x80x38	AD0848XB-F7BDS(M)	◎	48	0.30	14.40	6200	2.60	91.72	0.83	21.11	60.5	195
AD8038	80x80x38	AD0812DB-F73(N)	◎	12	0.07	0.84	2000	0.87	30.66	0.09	2.21	25.5	105



40x40x56



120x120x38



60X60X25



140x140x51

\*:Noise is measured at the distance of 1 meter from the axis of intake.  
Specifications are subject to change without prior notice.

Bearing type: ◎=Ball ※=Sleeve ●=Hypro Bearing

	Frame size (mm)	Model No.	Bearing Type	Rated Voltage (VDC)	Current (A)	Power (W)	Rated Speed (RPM)	Maximum AirFlow (CMM) (CFM)	Maximum Pressure (InAq) (mmAq)	*Noise Level (dB/A)	Weight (g)
<b>AD8038</b>	80x80x38	AD0812LB-F73(N)	◎	12	0.10	1.20	2500	1.10 38.73	0.13 3.35	32.3	105
	80x80x38	AD0812MB-F73(N)	◎	12	0.17	2.04	3000	1.30 46.06	0.17 4.24	36.0	105
	80x80x38	AD0812HB-F73(N)	◎	12	0.24	2.88	3500	1.51 53.31	0.22 5.64	39.9	105
	80x80x38	AD0812UB-F73(N)	◎	12	0.34	4.08	4000	1.76 62.16	0.32 8.10	43.7	105
	80x80x38	AD0824LB-F73(N)	◎	24	0.08	1.92	2500	1.10 38.73	0.13 3.35	32.3	105
	80x80x38	AD0824MB-F73(N)	◎	24	0.10	2.40	3000	1.30 46.06	0.17 4.24	36.0	105
	80x80x38	AD0824HB-F73(N)	◎	24	0.14	3.36	3500	1.51 53.31	0.22 5.64	39.9	105
<b>AS8056</b>	80x80x56	AS08012HB565BA0	◎	12	2.35	28.20	12400	2.80 98.94	3.68 93.45	76.7	267
<b>AS8076</b>	80x80x76	AS08012DB765300	◎	12	1.40	16.80	in:5500/ out:5700	2.46 86.81	0.81 20.57	63.1	395
	80x80x76	AS08012LB765300	◎	12	1.90	22.80	in:6400/ out:7000	2.95 104.42	1.39 35.33	66.8	395
	80x80x76	AS08012MB765300	◎	12	3.10	37.20	in:7200/ out:8300	3.42 120.79	1.85 47.04	72.4	395
	80x80x76	AS08012HB765300	◎	12	4.60	55.20	in:8500/ out:10000	4.14 146.44	2.65 67.36	77.0	395
<b>AD9220</b>	92x92x20	AD0912MB-C73(N)	◎※●	12	0.09	1.08	2430	0.80 28.36	0.10 2.57	34.0	81
	92x92x20	AD0912HB-C73(N)	◎※●	12	0.12	1.44	2700	0.90 31.66	0.12 3.10	36.7	81
	92x92x20	AD0924MB-C73(N)	◎※●	24	0.07	1.68	2430	0.80 28.36	0.10 2.57	34.0	81
	92x92x20	AD0924HB-C73(N)	◎※●	24	0.09	2.16	2700	0.90 31.66	0.12 3.10	36.7	81
<b>AD9220(T)</b>	92x92x20	AD0912MB-C76(T)	◎※●	12	0.12	1.44	2430	0.80 28.36	0.10 2.57	34.0	81
	92x92x20	AD0912HB-C76(T)	◎※●	12	0.15	1.80	2700	0.90 31.66	0.12 3.10	36.7	81
	92x92x20	AD0924MB-C76(T)	◎※●	24	0.06	1.44	2430	0.80 28.36	0.10 2.57	34.0	81
	92x92x20	AD0924HB-C76(T)	◎※●	24	0.09	2.16	2700	0.90 31.66	0.12 3.10	36.7	81
<b>AD9225(3PHASES)</b>	92x92x25	AD09212UB257BZ0	◎	12	0.33	3.96	4000	1.96 69.37	0.31 7.90	47.0	100
<b>AD9225</b>	92x92x25	AD0912DB-A73GL(N)	◎●	12	0.05	0.60	1600	0.86 30.30	0.03 0.86	19.1	92
	92x92x25	AD0912LB-A73GL(N)	◎●	12	0.09	1.08	2300	1.25 43.99	0.09 2.36	30.0	92
	92x92x25	AD0912MB-A73GL(N)	◎●	12	0.14	1.68	2600	1.40 49.36	0.12 3.15	34.5	92
	92x92x25	AD0912HB-A73GL(N)	◎●	12	0.18	2.16	2900	1.59 56.07	0.15 3.71	37.5	92
	92x92x25	AD0912UB-A73GL(N)	◎●	12	0.27	3.24	3300	1.75 61.93	0.19 4.75	42.2	92
	92x92x25	AD0924LB-A73GL(N)	◎●	24	0.08	1.92	2300	1.25 43.99	0.09 2.36	30.0	92
	92x92x25	AD0924MB-A73GL(N)	◎●	24	0.09	2.16	2600	1.40 49.36	0.12 3.15	34.5	92
	92x92x25	AD0924HB-A73GL(N)	◎●	24	0.11	2.64	2900	1.59 56.07	0.15 3.71	37.5	92
	92x92x25	AD0924UB-A73GL(N)	◎●	24	0.16	3.84	3300	1.75 61.93	0.19 4.75	42.2	92
	92x92x25	AD0948HB-A73GL	◎	48	0.11	5.28	2900	1.59 56.07	0.15 3.71	37.5	92



# DC Fan

- AD 17mm ~ 172mm / Thickness : min 04mm ~ max 51mm
- AS 40mm ~ 140mm / Thickness : min 28mm ~ max 51mm
- AG 20mm ~ 127mm / Thickness : min 10mm ~ max 38mm

Bearing type: ◎=Ball ※=Sleeve ●=Hypro Bearing

	Frame size (mm)	Model No.	Bearing Type	Rated Voltage (VDC)	Current (A)	Power (W)	Rated Speed (RPM)	Maximum AirFlow (CMM) (CFM)		Maximum Pressure (InAq) (mmAq)		*Noise Level (dB/A)	Weight (g)
AD9225(T)	92x92x25	AD0912DB-A76GL(HT)	◎ ●	12	0.06	0.72	1600	0.86	30.30	0.03	0.86	19.1	92
	92x92x25	AD0912LB-A76GL(HT)	◎ ●	12	0.10	1.20	2100	1.15	40.69	0.08	2.06	29.2	92
	92x92x25	AD0912MB-A76GL(HT)	◎ ●	12	0.15	1.80	2400	1.26	44.66	0.10	2.57	31.2	92
	92x92x25	AD0912HB-A76GL(HT)	◎ ●	12	0.24	2.88	2900	1.59	56.07	0.15	3.71	37.5	92
	92x92x25	AD0912UB-A76GL(HT)	◎ ●	12	0.28	3.36	3300	1.75	61.93	0.19	4.75	42.2	92
	92x92x25	AD0924DB-A76GL(HT)	◎ ●	24	0.04	0.96	1600	0.86	30.30	0.03	0.86	19.1	92
	92x92x25	AD0924LB-A76GL(HT)	◎ ●	24	0.05	1.20	2100	1.15	40.69	0.08	2.06	29.2	92
	92x92x25	AD0924MB-A76GL(HT)	◎ ●	24	0.08	1.92	2400	1.26	44.66	0.10	2.57	31.2	92
	92x92x25	AD0924HB-A76GL(HT)	◎ ●	24	0.15	3.60	2900	1.59	56.07	0.15	3.71	37.5	92
AD9225GP	92x92x25	AD0912HB-A73GP	◎	12	0.19	2.28	3000	1.77	62.50	0.19	4.83	39.5	103
	92x92x25	AD0912UB-A73GP	◎	12	0.37	4.44	3500	2.04	72.00	0.23	5.84	44.0	103
	92x92x25	AD0912XB-A73GP	◎	12	0.47	5.64	4000	2.36	83.50	0.28	7.11	48.0	103
	92x92x25	AD0924HB-A73GP	◎	24	0.12	2.88	3000	1.77	62.50	0.19	4.83	39.5	103
	92x92x25	AD0924UB-A73GP	◎	24	0.18	4.32	3500	2.04	72.00	0.23	5.84	44.0	103
	92x92x25	AD0924XB-A73GP	◎	24	0.24	5.76	4000	2.36	83.50	0.28	7.11	48.0	103
	92x92x25	AD0948HB-A73GP	◎	48	0.08	3.84	3000	1.77	62.50	0.19	4.83	39.5	103
	92x92x25	AD0948UB-A73GP	◎	48	0.12	5.76	3500	2.04	72.00	0.23	5.84	44.0	103
	92x92x25	AD0948XB-A73GP	◎	48	0.17	8.16	4000	2.36	83.50	0.28	7.11	48.0	103
AG9225G2	92x92x25	AG09212DB257610	◎	12	0.13	1.56	2000	1.09	38.37	0.08	2.13	26.3	108
	92x92x25	AG09212LB257610	◎	12	0.16	1.92	2500	1.36	48.23	0.13	3.25	32.1	108
	92x92x25	AG09212MB257610	◎	12	0.22	2.64	3000	1.63	57.77	0.20	5.08	36.5	108
	92x92x25	AG09212HB257610	◎	12	0.31	3.72	3300	1.83	64.56	0.24	6.05	39.2	108
	92x92x25	AG09212UB257610	◎	12	0.35	4.20	3600	2.01	71.00	0.28	7.16	42.0	108
	92x92x25	AG09224DB257610	◎	24	0.05	1.20	2000	1.09	38.37	0.08	2.13	26.3	108
	92x92x25	AG09224LB257610	◎	24	0.09	2.16	2500	1.36	48.23	0.13	3.25	32.1	108
	92x92x25	AG09224MB257610	◎	24	0.14	3.36	3000	1.63	57.77	0.20	5.08	36.5	108
	92x92x25	AG09224HB257610	◎	24	0.17	4.08	3300	1.83	64.56	0.24	6.05	39.2	108
92x92x25	AG09224UB257610	◎	24	0.18	4.32	3600	2.01	71.00	0.28	7.16	42.0	108	
AD9232	92x92x32	AD0912LB-Y73GL(N)	◎	12	0.16	1.92	2500	1.36	48.05	0.14	3.61	34.7	140
	92x92x32	AD0912MB-Y73GL(N)	◎	12	0.24	2.88	3000	1.67	58.97	0.19	4.80	39.5	140
	92x92x32	AD0912HB-Y73GL(N)	◎	12	0.38	4.56	3500	1.95	68.95	0.28	7.21	44.0	140
	92x92x32	AD0912UB-Y73GL(N)	◎	12	0.45	5.40	3900	2.18	77.19	0.37	9.42	50.0	140
	92x92x32	AD0924LB-Y73GL(N)	◎	24	0.08	1.92	2500	1.36	48.05	0.14	3.61	34.7	140
	92x92x32	AD0924MB-Y73GL(N)	◎	24	0.14	3.36	3000	1.67	58.97	0.19	4.80	39.5	140
	92x92x32	AD0924HB-Y73GL(N)	◎	24	0.21	5.04	3500	1.95	68.95	0.28	7.21	44.0	140



40x40x56



120x120x38



60X60X25



140x140x51

\*:Noise is measured at the distance of 1 meter from the axis of intake.  
Specifications are subject to change without prior notice.

Bearing type: ◎=Ball ※=Sleeve ●=Hypro Bearing

	Frame size (mm)	Model No.	Bearing Type	Rated Voltage (VDC)	Current (A)	Power (W)	Rated Speed (RPM)	Maximum AirFlow (CMM) (CFM)		Maximum Pressure (InAq) (mmAq)		*Noise Level (dB/A)	Weight (g)
<b>AD9232</b>	92x92x32	AD0924UB-Y73GL(N)	◎	24	0.24	5.76	3900	2.18	77.19	0.37	9.42	50.0	140
	92x92x32	AD0948LB-Y73GL(N)	◎	48	0.06	2.88	2500	1.36	48.05	0.14	3.61	34.7	140
	92x92x32	AD0948MB-Y73GL(N)	◎	48	0.08	3.84	3000	1.67	58.97	0.19	4.80	39.5	140
	92x92x32	AD0948HB-Y73GL(N)	◎	48	0.10	4.80	3500	1.95	68.95	0.28	7.21	44.0	140
	92x92x32	AD0948UB-Y73GL(N)	◎	48	0.13	6.24	3900	2.18	77.19	0.37	9.42	50.0	140
<b>AS9238</b>	92x92x38	AS09212LB389BB0	◎	12	0.98	11.76	5000	2.76	97.59	0.60	15.24	56.9	255
	92x92x38	AS09212MB389BB0	◎	12	1.55	18.60	6000	3.38	119.43	0.87	22.02	62.5	255
	92x92x38	AS09212HB389BB0	◎	12	2.30	27.60	7000	3.97	140.21	1.20	30.48	68.0	255
	92x92x38	AS09212UB389BB0	◎	12	3.50	42.00	8000	4.58	161.68	1.53	38.96	70.8	255
	92x92x38	AS09224LB389BB0	◎	24	0.54	12.96	5000	2.76	97.59	0.60	15.24	56.9	255
	92x92x38	AS09224MB389BB0	◎	24	0.79	18.96	6000	3.38	119.43	0.87	22.02	62.5	255
	92x92x38	AS09224HB389BB0	◎	24	1.15	28.00	7000	3.97	140.21	1.20	30.48	68.0	255
	92x92x38	AS09224UB389BB0	◎	24	1.80	43.00	8000	4.58	161.68	1.53	38.96	70.8	255
	92x92x38	AS09248LB389BB0	◎	48	0.26	12.48	5000	2.76	97.59	0.60	15.24	56.9	255
	92x92x38	AS09248MB389BB0	◎	48	0.45	21.60	6000	3.38	119.43	0.87	22.02	62.5	255
	92x92x38	AS09248HB389BB0	◎	48	0.60	28.80	7000	3.97	140.21	1.20	30.48	68.0	255
92x92x38	AS09248UB389BB0	◎	48	0.90	43.20	8000	4.58	161.68	1.53	38.96	70.8	255	
<b>AD9238DS</b>	92x92x38	AD0912HB-F9BDS(M)	◎	12	0.75	9.00	4400	3.06	108.00	0.50	12.70	52.5	210
	92x92x38	AD0912UB-F9BDS(M)	◎	12	0.98	11.76	4800	3.34	118.00	0.59	14.99	55.0	210
	92x92x38	AD0912XB-F9BDS(M)	◎	12	1.38	16.56	5400	3.82	135.00	0.74	18.80	58.5	210
	92x92x38	AD0912VB-F9BDS(M)	◎	12	2.25	27.00	6000	4.22	149.00	0.93	23.62	62.0	210
	92x92x38	AD0924HB-F9BDS(M)	◎	24	0.33	7.92	4400	3.06	108.00	0.50	12.70	52.5	210
	92x92x38	AD0924UB-F9BDS(M)	◎	24	0.47	11.28	4800	3.34	118.00	0.59	14.99	55.0	210
	92x92x38	AD0924XB-F9BDS(M)	◎	24	0.65	15.60	5400	3.82	135.00	0.74	18.80	58.5	210
	92x92x38	AD0948HB-F9BDS(M)	◎	48	0.19	9.12	4400	3.06	108.00	0.50	12.70	52.5	210
	92x92x38	AD0948UB-F9BDS(M)	◎	48	0.25	12.00	4800	3.34	118.00	0.59	14.99	55.0	210
	92x92x38	AD0948XB-F9BDS(M)	◎	48	0.35	16.80	5400	3.82	135.00	0.74	18.80	58.5	210
<b>AD9238GP</b>	92x92x38	AD0912HB-F9BGP(M)	◎	12	0.75	9.00	4400	2.97	105.00	0.45	11.43	53.0	210
	92x92x38	AD0912UB-F9BGP(M)	◎	12	0.98	11.76	4800	3.25	115.00	0.53	13.46	56.5	210
	92x92x38	AD0912XB-F9BGP(M)	◎	12	1.38	16.56	5400	3.68	130.00	0.67	17.02	59.5	210
	92x92x38	AD0912VB-F9BGP(M)	◎	12	2.20	26.40	6000	4.19	148.00	0.85	21.59	63.0	210
	92x92x38	AD0924HB-F9BGP(M)	◎	24	0.33	7.92	4400	2.97	105.00	0.45	11.43	53.0	210
	92x92x38	AD0924UB-F9BGP(M)	◎	24	0.47	11.28	4800	3.25	115.00	0.53	13.46	56.5	210
	92x92x38	AD0924XB-F9BGP(M)	◎	24	0.65	15.60	5400	3.68	130.00	0.67	17.02	59.5	210
	92x92x38	AD0948HB-F9BGP(M)	◎	48	0.19	9.12	4400	2.97	105.00	0.45	11.43	53.0	210



# DC Fan

- AD 17mm ~ 172mm / Thickness : min 04mm ~ max 51mm
- AS 40mm ~ 140mm / Thickness : min 28mm ~ max 51mm
- AG 20mm ~ 127mm / Thickness : min 10mm ~ max 38mm

Bearing type: ◎=Ball ※=Sleeve ●=Hypro Bearing

	Frame size (mm)	Model No.	Bearing Type	Rated Voltage (VDC)	Current (A)	Power (W)	Rated Speed (RPM)	Maximum AirFlow (CMM) (CFM)		Maximum Pressure (InAq) (mmAq)		*Noise Level (dB/A)	Weight (g)	
AD9238GP	92x92x38	AD0948UB-F9BGP(M)	◎	48	0.25	12.00	4800	3.25	115.00	0.53	13.46	56.5	210	
	92x92x38	AD0948XB-F9BGP(M)	◎	48	0.35	16.80	5400	3.68	130.00	0.67	17.02	59.5	210	
AG12025	120x120x25	AG12012DB257B00	◎※●	12	0.12	1.44	1900	1.63	57.66	0.12	3.15	31.1	185	
	120x120x25	AG12012LB257B00	◎※●	12	0.15	1.80	2200	1.90	67.02	0.17	4.29	34.6	185	
	120x120x25	AG12012MB257B00	◎※●	12	0.21	2.52	2500	2.15	76.08	0.21	5.38	38.4	185	
	120x120x25	AG12012HB257B00	◎※●	12	0.30	3.60	3100	2.68	94.69	0.31	7.87	44.8	185	
	120x120x25	AG12012UB257B00	◎※●	12	0.48	5.76	3600	3.01	106.27	0.39	9.96	49.1	185	
	120x120x25	AG12012XB257B00	◎※●	12	0.80	9.60	4100	3.48	122.92	0.48	12.19	52.0	185	
	120x120x25	AG12024DB257B00	◎※●	24	0.07	1.68	1900	1.63	57.66	0.12	3.15	31.1	185	
	120x120x25	AG12024LB257B00	◎※●	24	0.08	1.92	2200	1.90	67.02	0.17	4.29	34.6	185	
	120x120x25	AG12024MB257B00	◎※●	24	0.11	2.64	2500	2.15	76.08	0.21	5.38	38.4	185	
	120x120x25	AG12024HB257B00	◎※●	24	0.16	3.84	3100	2.68	94.69	0.31	7.87	44.8	185	
	120x120x25	AG12024UB257B00	◎※●	24	0.25	6.00	3600	3.01	106.27	0.39	9.96	49.1	185	
	120x120x25	AG12024XB257B00	◎※●	24	0.32	7.68	4100	3.48	122.92	0.48	12.19	52.0	185	
	120x120x25	AG12048LB257B00	◎※●	48	0.05	2.40	2200	1.90	67.02	0.17	4.29	34.6	185	
	120x120x25	AG12048MB257B00	◎※●	48	0.06	2.88	2500	2.15	76.08	0.21	5.38	38.4	185	
	120x120x25	AG12048HB257B00	◎※●	48	0.11	5.28	3100	2.68	94.69	0.31	7.87	44.8	185	
	120x120x25	AG12048UB257B00	◎※●	48	0.14	6.72	3600	3.01	106.27	0.39	9.96	49.1	185	
	AS12025	120x120x25	AS12012LB25AB00	◎	12	0.66	7.92	2900	3.56	125.82	0.28	7.04	51.0	220
		120x120x25	AS12012MB25AB00	◎	12	0.84	10.08	3400	4.27	150.77	0.39	9.83	54.7	220
120x120x25		AS12012HB25AB00	◎	12	1.06	12.72	3700	4.57	161.51	0.44	11.25	57.8	220	
120x120x25		AS12012UB25AB00	◎	12	1.42	17.04	4000	4.98	175.90	0.52	13.28	58.6	220	
120x120x25		AS12024LB25AB00	◎	24	0.28	6.72	2900	3.56	125.82	0.28	7.04	51.0	220	
120x120x25		AS12024MB25AB00	◎	24	0.43	10.32	3400	4.27	150.77	0.39	9.83	54.7	220	
120x120x25		AS12024HB25AB00	◎	24	0.55	13.20	3700	4.57	161.51	0.44	11.25	57.8	220	
120x120x25		AS12024UB25AB00	◎	24	0.71	17.04	4000	4.98	175.90	0.52	13.28	58.6	220	
120x120x25		AS12048LB25AB00	◎	48	0.17	8.16	2900	3.56	125.82	0.28	7.04	51.0	220	
120x120x25		AS12048MB25AB00	◎	48	0.23	11.04	3400	4.27	150.77	0.39	9.83	54.7	220	
120x120x25		AS12048HB25AB00	◎	48	0.30	14.40	3700	4.57	161.51	0.44	11.25	57.8	220	
120x120x25		AS12048UB25AB00	◎	48	0.37	17.76	4000	4.98	175.90	0.52	13.28	58.6	220	
AD12025ES	120x120x25	AD12012DB257600	◎	12	0.06	0.72	1500	1.47	52.08	0.07	1.80	27.4	156	
	120x120x25	AD12012LB257600	◎	12	0.12	1.44	1800	1.78	63.05	0.10	2.59	33.0	156	
	120x120x25	AD12012MB257600	◎	12	0.15	1.80	2050	2.02	71.30	0.13	3.35	36.3	156	
	120x120x25	AD12012HB257600	◎	12	0.19	2.28	2200	2.19	77.21	0.15	3.86	38.4	156	
	120x120x25	AD12012UB257600	◎	12	0.29	3.48	2500	2.54	89.84	0.19	4.85	41.6	156	



\*:Noise is measured at the distance of 1 meter from the axis of intake.  
Specifications are subject to change without prior notice.

Bearing type: ●=Ball ※=Sleeve ●=Hypro Bearing

	Frame size (mm)	Model No.	Bearing Type	Rated Voltage (VDC)	Current (A)	Power (W)	Rated Speed (RPM)	Maximum AirFlow (CMM) (CFM)	Maximum Pressure (InAq) (mmAq)	*Noise Level (dB/A)	Weight (g)
AD12025	120x120x25	AD1212DB-A7BGL	◎※●	12	0.11	1.32	1500	1.62 57.21	0.07 1.88	27.2	156
	120x120x25	AD1212LB-A7BGL	◎※●	12	0.15	1.80	1800	2.03 71.81	0.09 2.36	34.4	156
	120x120x25	AD1212MB-A7BGL	◎※●	12	0.16	1.92	2050	2.29 81.05	0.11 2.87	38.0	156
	120x120x25	AD1212HB-A7BGL	◎※●	12	0.29	3.48	2200	2.49 87.87	0.13 3.40	39.1	156
	120x120x25	AD1212UB-A7BGL	◎※●	12	0.39	4.68	2500	2.80 98.97	0.17 4.42	43.3	156
	120x120x25	AD1224DB-A7BGL	◎※●	24	0.07	1.68	1500	1.62 57.21	0.07 1.88	27.2	156
	120x120x25	AD1224LB-A7BGL	◎※●	24	0.10	2.40	1800	2.03 71.81	0.09 2.36	34.4	156
	120x120x25	AD1224MB-A7BGL	◎※●	24	0.13	3.12	2050	2.29 81.05	0.11 2.87	38.0	156
	120x120x25	AD1224HB-A7BGL	◎※●	24	0.13	3.12	2200	2.49 87.87	0.13 3.40	39.1	156
	120x120x25	AD1224UB-A7BGL	◎※●	24	0.19	4.56	2500	2.80 98.97	0.17 4.42	43.3	156
	120x120x25	AD1248HB-A7BGL	◎※●	48	0.10	4.80	2200	2.49 87.87	0.13 3.40	39.1	156
	120x120x25	AD1248UB-A7BGL	◎※●	48	0.12	5.76	2500	2.80 98.97	0.17 4.42	43.3	156
AD12032	120x120x32	AD1212DB-Y5B	◎※●	12	0.08	0.96	1450	1.68 59.46	0.08 1.91	26.9	213
	120x120x32	AD1212LB-Y5B	◎※●	12	0.19	2.28	2000	2.35 82.98	0.12 3.12	36.2	213
	120x120x32	AD1212MB-Y5B	◎※●	12	0.26	3.12	2400	2.80 99.07	0.17 4.24	41.1	213
	120x120x32	AD1212HB-Y5B	◎※●	12	0.32	3.84	2750	3.16 111.71	0.24 6.12	43.3	213
	120x120x32	AD1212UB-Y5B	◎※●	12	0.51	6.12	3200	3.78 133.44	0.32 8.05	48.4	213
	120x120x32	AD1224DB-Y5B	◎※●	24	0.05	1.20	1450	1.68 59.46	0.08 1.91	26.9	213
	120x120x32	AD1224LB-Y5B	◎※●	24	0.10	2.40	2000	2.35 82.98	0.12 3.12	36.2	213
	120x120x32	AD1224MB-Y5B	◎※●	24	0.16	3.84	2400	2.80 99.07	0.17 4.24	41.1	213
	120x120x32	AD1224HB-Y5B	◎※●	24	0.21	5.04	2750	3.16 111.71	0.24 6.12	43.3	213
	120x120x32	AD1224UB-Y5B	◎※●	24	0.32	7.68	3200	3.78 133.44	0.32 8.05	48.4	213
	120x120x32	AD1248HB-Y5B	◎※●	48	0.11	5.28	2750	3.16 111.71	0.24 6.12	43.3	213
	120x120x32	AD1248UB-Y5B	◎※●	48	0.15	7.20	3200	3.78 133.44	0.32 8.05	48.4	213
AD12032ES	120x120x32	AD12012DB325600	◎	12	0.06	0.72	1450	1.56 54.95	0.09 2.24	27.9	213
	120x120x32	AD12012LB325600	◎	12	0.12	1.44	2000	2.14 75.45	0.13 3.18	36.6	213
	120x120x32	AD12012MB325600	◎	12	0.20	2.40	2400	2.60 91.71	0.21 5.23	42.0	213
	120x120x32	AD12012HB325600	◎	12	0.33	3.96	2750	2.98 105.46	0.23 5.89	46.1	213
AD12038	120x120x38	AD1212DB-F5B(N)	◎※●	12	0.12	1.44	1500	1.62 57.29	0.09 2.16	28.4	297
	120x120x38	AD1212LB-F5B(N)	◎※●	12	0.22	2.64	1950	2.03 71.64	0.13 3.25	36.2	297
	120x120x38	AD1212MB-F5B(N)	◎※●	12	0.34	4.08	2540	2.73 96.30	0.23 5.79	45.0	297
	120x120x38	AD1212HB-F5B(N)	◎※●	12	0.39	4.68	2800	2.98 105.46	0.27 6.73	46.7	297
	120x120x38	AD1212UB-F5B(N)	◎※●	12	0.62	7.44	3200	3.40 120.11	0.34 8.51	48.0	297
	120x120x38	AD1224DB-F5B(N)	◎※●	24	0.07	1.68	1500	1.62 57.29	0.09 2.16	28.4	297
	120x120x38	AD1224LB-F5B(N)	◎※●	24	0.10	2.40	1950	2.03 71.64	0.13 3.25	36.2	297



# DC Fan

- AD 17mm ~ 172mm / Thickness : min 04mm ~ max 51mm
- AS 40mm ~ 140mm / Thickness : min 28mm ~ max 51mm
- AG 20mm ~ 127mm / Thickness : min 10mm ~ max 38mm

Bearing type: ○=Ball ※=Sleeve ●=Hypro Bearing

	Frame size (mm)	Model No.	Bearing Type	Rated Voltage (VDC)	Current (A)	Power (W)	Rated Speed (RPM)	Maximum AirFlow (CMM) (CFM)		Maximum Pressure (InAq) (mmAq)		*Noise Level (dB/A)	Weight (g)	
AD12038	120x120x38	AD1224MB-F5B(N)	○※●	24	0.20	4.80	2540	2.73	96.30	0.23	5.79	45.0	297	
	120x120x38	AD1224HB-F5B(N)	○※●	24	0.26	6.24	2800	2.98	105.46	0.27	6.73	46.7	297	
	120x120x38	AD1224UB-F5B(N)	○※●	24	0.38	9.12	3200	3.40	120.11	0.34	8.51	48.0	297	
	120x120x38	AD1248LB-F5B(N)	○※●	48	0.09	4.32	1950	2.03	71.64	0.13	3.25	36.2	297	
	120x120x38	AD1248MB-F5B(N)	○※●	48	0.13	6.24	2540	2.73	96.30	0.23	5.79	45.0	297	
	120x120x38	AD1248HB-F5B(N)	○※●	48	0.18	8.64	2800	2.98	105.46	0.27	6.73	46.7	297	
	120x120x38	AD1248UB-F5B(N)	○※●	48	0.22	10.56	3200	3.40	120.11	0.34	8.51	48.0	297	
AD12038GP	120x120x38	AD1212DB-F9BGP(F)	○	12	0.49	5.88	2800	3.69	130.54	0.30	7.49	48.5	335	
	120x120x38	AD1212LB-F9BGP(FCU)	○	12	0.70	8.40	3200	4.25	150.12	0.38	9.73	52.5	335	
	120x120x38	AD1212MB-F9BGP(FCU)	○	12	0.96	11.52	3800	5.14	181.60	0.53	13.46	57.5	335	
	120x120x38	AD1212HB-F9BGP(FM)	○	12	1.62	19.44	4300	5.65	199.73	0.63	15.88	61.0	335	
	120x120x38	AD1224DB-F9BGP(F)	○	24	0.23	5.52	2800	3.69	130.54	0.30	7.49	48.5	335	
	120x120x38	AD1224LB-F9BGP(FCU)	○	24	0.36	8.64	3200	4.25	150.12	0.38	9.73	52.5	335	
	120x120x38	AD1224MB-F9BGP(FCU)	○	24	0.58	13.92	3800	5.14	181.60	0.53	13.46	57.5	335	
	120x120x38	AD1224HB-F9BGP(FM)	○	24	0.80	19.20	4300	5.65	199.73	0.63	15.88	61.0	335	
	120x120x38	AD1224UB-F9BGP(FM)	○	24	1.15	27.60	4700	6.27	221.40	0.75	18.97	63.0	335	
	120x120x38	AD1248DB-F9BGP(F)	○	48	0.16	7.68	2800	3.69	130.54	0.30	7.49	48.5	335	
	120x120x38	AD1248LB-F9BGP(FCU)	○	48	0.18	8.64	3200	4.25	150.12	0.38	9.73	52.5	335	
	120x120x38	AD1248MB-F9BGP(FCU)	○	48	0.28	13.44	3800	5.14	181.60	0.53	13.46	57.5	335	
	120x120x38	AD1248HB-F9BGP(FM)	○	48	0.44	21.12	4300	5.65	199.73	0.63	15.88	61.0	335	
	120x120x38	AD1248UB-F9BGP(FM)	○	48	0.58	27.84	4700	6.27	221.40	0.75	18.97	63.0	335	
AS12038	120x120x38	AS12012DB389B00	○	12	0.60	7.20	3000	3.20	113.01	0.34	8.71	49.9	375	
	120x120x38	AS12012LB389B00	○	12	1.30	15.60	4000	4.34	153.18	0.64	16.33	57.1	375	
	120x120x38	AS12012MB389B00	○	12	2.30	27.60	5000	5.40	190.66	0.95	24.13	63.2	375	
	120x120x38	AS12012HB389B00	○	12	3.70	44.40	6000	6.46	228.36	1.34	34.04	67.7	375	
	120x120x38	AS12024DB389B00	○	24	0.35	8.40	3000	3.20	113.01	0.34	8.71	49.9	375	
	120x120x38	AS12024LB389B00	○	24	0.65	15.60	4000	4.34	153.18	0.64	16.33	57.1	375	
	120x120x38	AS12024MB389B00	○	24	1.05	25.20	5000	5.40	190.66	0.95	24.13	63.2	375	
	120x120x38	AS12024HB389B00	○	24	1.75	42.00	6000	6.46	228.36	1.34	34.04	67.7	375	
	120x120x38	AS12048DB389B00	○	48	0.20	9.60	3000	3.20	113.01	0.34	8.71	49.9	375	
	120x120x38	AS12048LB389B00	○	48	0.35	16.80	4000	4.34	153.18	0.64	16.33	57.1	375	
	120x120x38	AS12048MB389B00	○	48	0.55	26.40	5000	5.40	190.66	0.95	24.13	63.2	375	
	120x120x38	AS12048HB389B00	○	48	0.85	40.80	6000	6.46	228.36	1.34	34.04	67.7	375	
	AD12038ES	120x120x38	AD12012DB385600(0F)	○	12	0.08	0.96	1500	1.52	53.68	0.09	2.18	28.0	235/ Plastic
		120x120x38	AD12012LB385600(0F)	○	12	0.15	1.80	1950	1.93	68.28	0.14	3.66	36.7	



\*:Noise is measured at the distance of 1 meter from the axis of intake.  
Specifications are subject to change without prior notice.

Bearing type: ○=Ball ※=Sleeve ●=Hypro Bearing

	Frame size (mm)	Model No.	Bearing Type	Rated Voltage (VDC)	Current (A)	Power (W)	Rated Speed (RPM)	Maximum AirFlow (CMM) (CFM)		Maximum Pressure (InAq) (mmAq)		*Noise Level (dB/A)	Weight (g)
<b>AD12038ES</b>	120x120x38	AD12012MB385600(0F)	○	12	0.33	3.96	2540	2.58	91.23	0.23	5.77	44.4	235/ Plastic
	120x120x38	AD12012HB385600(0F)	○	12	0.48	5.76	2800	2.85	100.80	0.26	6.65	46.5	
	127x127x38	AD1312LB-F5B	○	12	0.25	3.00	2000	3.04	107.49	0.16	4.11	41.0	370
	127x127x38	AD1312MB-F5B	○	12	0.38	4.56	2500	3.78	133.66	0.24	6.07	47.5	370
	127x127x38	AD1312HB-F5B	○	12	0.65	7.80	2950	4.56	161.17	0.35	8.89	53.0	370
	127x127x38	AD1312UB-F5B(CU)	○	12	1.06	12.72	3500	5.47	193.37	0.46	11.73	56.0	370
	127x127x38	AD1312XB-F5B(M)	○	12	1.95	23.40	4100	6.41	226.63	0.56	14.15	62.0	370
	127x127x38	AD1324LB-F5B	○	24	0.15	3.60	2000	3.04	107.49	0.16	4.11	41.0	370
	127x127x38	AD1324MB-F5B	○	24	0.22	5.28	2500	3.78	133.66	0.24	6.07	47.5	370
<b>AD12738</b>	127x127x38	AD1324HB-F5B	○	24	0.36	8.64	2950	4.56	161.17	0.35	8.89	53.0	370
	127x127x38	AD1324UB-F5B(CU)	○	24	0.50	12.00	3500	5.47	193.37	0.46	11.73	56.0	370
	127x127x38	AD1324XB-F5B(M)	○	24	0.94	22.56	4100	6.41	226.63	0.56	14.15	62.0	370
	127x127x38	AD1324VB-F5B(M)	○	24	1.10	26.40	4500	6.85	242.15	0.63	16.00	64.5	370
	127x127x38	AD1348LB-F5B	○	48	0.11	5.28	2000	3.04	107.49	0.16	4.11	41.0	370
	127x127x38	AD1348MB-F5B	○	48	0.15	7.20	2500	3.78	133.66	0.24	6.07	47.5	370
	127x127x38	AD1348HB-F5B	○	48	0.21	10.08	2950	4.56	161.17	0.35	8.89	53.0	370
	127x127x38	AD1348UB-F5B(CU)	○	48	0.31	14.88	3500	5.47	193.37	0.46	11.73	56.0	370
	127x127x38	AD1348XB-F5B(M)	○	48	0.50	24.00	4100	6.41	226.63	0.56	14.15	62.0	370
<b>AG12738</b>	127x127x38	AG12712LB385B00(0CU)	○	12	0.29	3.48	3000	3.02	106.57	0.49	12.52	46.0	360
	127x127x38	AG12712MB385B00(0M)	○	12	0.63	7.56	4000	4.06	143.42	0.77	19.66	53.9	360
	127x127x38	AG12712HB385B00(0M)	○	12	0.83	9.96	4500	4.56	161.10	0.93	23.62	57.0	360
	127x127x38	AG12712UB385B00(0M)	○	12	1.16	13.92	5000	5.02	177.38	1.09	27.64	59.4	360
	127x127x38	AG12724LB385B00(0CU)	○	24	0.15	3.60	3000	3.02	106.57	0.49	12.52	46.0	360
	127x127x38	AG12724MB385B00(0M)	○	24	0.30	7.20	4000	4.06	143.42	0.77	19.66	53.9	360
	127x127x38	AG12724HB385B00(0M)	○	24	0.43	10.32	4500	4.56	161.10	0.93	23.62	57.0	360
	127x127x38	AG12724UB385B00(0M)	○	24	0.55	13.20	5000	5.02	177.38	1.09	27.64	59.4	360
	127x127x38	AG12724XB385B00(0M)	○	24	0.73	17.52	5500	5.63	198.81	1.27	32.33	62.0	360
	127x127x38	AG12748LB385B00(0CU)	○	48	0.09	4.32	3000	3.02	106.57	0.49	12.52	46.0	360
	127x127x38	AG12748MB385B00(0M)	○	48	0.17	8.16	4000	4.06	143.42	0.77	19.66	53.9	360
	127x127x38	AG12748HB385B00(0M)	○	48	0.23	11.04	4500	4.56	161.10	0.93	23.62	57.0	360
	127x127x38	AG12748UB385B00(0M)	○	48	0.29	13.92	5000	5.02	177.38	1.09	27.64	59.4	360
	127x127x38	AG12748XB385B00(0M)	○	48	0.38	18.24	5500	5.63	198.81	1.27	32.33	62.0	360
	<b>AD13525</b>	135x135x25	ADN512DB-A9B	○	12	0.12	1.44	1500	1.64	57.99	0.09	2.29	31.5
135x135x25		ADN512LB-A9B	○	12	0.18	2.16	1800	2.06	72.72	0.13	3.18	35.2	220

# DC Fan

- AD 17mm ~ 172mm / Thickness : min 04mm ~ max 51mm
- AS 40mm ~ 140mm / Thickness : min 28mm ~ max 51mm
- AG 20mm ~ 127mm / Thickness : min 10mm ~ max 38mm

Bearing type: ○=Ball ※=Sleeve ●=Hypro Bearing

	Frame size (mm)	Model No.	Bearing Type	Rated Voltage (VDC)	Current (A)	Power (W)	Rated Speed (RPM)	Maximum AirFlow (CMM) (CFM)		Maximum Pressure (InAq) (mmAq)		*Noise Level (dB/A)	Weight (g)
AD13525	135x135x25	ADN512MB-A9B	○	12	0.20	2.40	2050	2.34	82.64	0.17	4.19	39.3	220
	135x135x25	ADN512HB-A9B	○	12	0.28	3.36	2200	2.35	83.00	0.17	4.32	42.2	220
	135x135x25	ADN512UB-A9B	○	12	0.31	3.72	2500	2.69	94.97	0.21	5.23	44.9	220
	135x135x25	ADN512XB-A9B	○	12	0.47	5.64	3100	3.49	123.46	0.31	7.95	50.9	220
AD13525ES	135x135x25	AD13512DB259600	○	12	0.07	0.84	1500	1.64	57.99	0.09	2.29	31.5	220
	135x135x25	AD13512LB259600	○	12	0.12	1.44	1800	2.06	72.72	0.13	3.18	35.2	220
	135x135x25	AD13512MB259600	○	12	0.16	1.92	2050	2.34	82.64	0.17	4.19	39.3	220
	135x135x25	AD13512HB259600	○	12	0.18	2.16	2200	2.35	83.00	0.17	4.32	42.2	220
	135x135x25	AD13512UB259600	○	12	0.29	3.48	2500	2.69	94.97	0.21	5.23	44.9	220
AS14038	140x140x38	AS14012LB387BB0	○	12	0.85	10.20	4200	4.88	172.40	0.89	22.58	59.3	551
	140x140x38	AS14012MB387BB0	○	12	1.65	19.80	4800	5.62	198.52	1.14	29.06	63.1	551
	140x140x38	AS14012HB387BB0	○	12	1.95	23.40	5400	6.28	221.83	1.34	34.01	66.9	551
	140x140x38	AS14012UB387BB0	○	12	3.20	38.40	6000	7.08	250.22	1.67	42.42	69.8	551
	140x140x38	AS14012XB387BB0	○	12	4.00	48.00	6600	7.83	276.82	2.08	52.71	71.4	551
	140x140x38	AS14024LB387BB0	○	24	0.60	14.40	4200	4.88	172.40	0.89	22.58	59.3	551
	140x140x38	AS14024MB387BB0	○	24	0.80	19.20	4800	5.62	198.52	1.14	29.06	63.1	551
	140x140x38	AS14024HB387BB0	○	24	1.10	26.40	5400	6.28	221.83	1.34	34.01	66.9	551
	140x140x38	AS14024UB387BB0	○	24	1.50	36.00	6000	7.08	250.22	1.67	42.42	69.8	551
	140x140x38	AS14024XB387BB0	○	24	1.85	44.40	6600	7.83	276.82	2.08	52.71	71.4	551
AS14051	140x140x51	AS14012LB519B00	○	12	1.80	21.60	2800	6.49	229.46	0.52	13.26	59.4	650
	140x140x51	AS14012MB519B00	○	12	2.80	33.60	3200	7.50	265.13	0.67	17.02	62.5	650
	140x140x51	AS14012HB519B00	○	12	3.20	38.40	3600	8.59	303.68	0.86	21.82	64.7	650
	140x140x51	AS14024LB519B00	○	24	0.80	19.20	2800	6.49	229.46	0.52	13.26	59.4	650
	140x140x51	AS14024MB519B00	○	24	1.10	26.40	3200	7.50	265.13	0.67	17.02	62.5	650
	140x140x51	AS14024HB519B00	○	24	1.50	36.00	3600	8.59	303.68	0.86	21.82	64.7	650
	140x140x51	AS14048LB519B00	○	48	0.36	17.28	2800	6.49	229.16	0.52	13.26	59.4	650
	140x140x51	AS14048MB519B00	○	48	0.51	24.48	3200	7.50	265.13	0.67	17.02	62.5	650
	140x140x51	AS14048HB519B00	○	48	0.73	35.04	3600	8.59	303.68	0.86	21.82	64.7	650
AD17251	172x150x51	AD17212DB5151M0(OCW)	○	12	1.65	19.80	3500	7.50	265.00	0.75	19.05	58.8	762
	172x150x51	AD17212LB5151M0(OCW)	○	12	2.30	27.60	3900	8.35	295.00	0.89	22.61	60.6	762
	172x150x51	AD17224DB5151M0(OCW)	○	24	0.83	19.92	3500	7.50	265.00	0.75	19.05	58.8	762
	172x150x51	AD17224LB5151M0(OCW)	○	24	1.10	26.40	3900	8.35	295.00	0.89	22.61	60.6	762
	172x150x51	AD17224MB5151M0(OCW)	○	24	1.45	34.80	4300	9.25	327.00	1.07	27.18	64.0	762
	172x150x51	AD17224HB5151M0(OCW)	○	24	1.95	46.80	4800	10.24	362.00	1.33	33.78	65.7	762
	172x150x51	AD17224UB5151M0(OCW)	○	24	2.56	61.44	5300	11.80	417.00	1.69	42.93	67.9	762



# DC Fan



40x40x56



120x120x38



60x60x25



140x140x51

\*:Noise is measured at the distance of 1 meter from the axis of intake.  
Specifications are subject to change without prior notice.

Bearing type: ◎=Ball ※=Sleeve ●=Hypro Bearing

Frame size (mm)	Model No.	Bearing Type	Rated Voltage (VDC)	Current (A)	Power (W)	Rated Speed (RPM)	Maximum AirFlow		Maximum Pressure		*Noise Level (dB/A)	Weight (g)	
							(CMM)	(CFM)	(InAq)	(mmAq)			
<b>AD17251</b>	172x150x51	AD17248DB5151M0(OCW)	◎	48	0.43	20.64	3500	7.50	265.00	0.75	19.05	58.8	762
	172x150x51	AD17248LB5151M0(OCW)	◎	48	0.57	27.36	3900	8.35	295.00	0.89	22.61	60.6	762
	172x150x51	AD17248MB5151M0(OCW)	◎	48	0.77	36.96	4300	9.25	327.00	1.07	27.18	64.0	762
	172x150x51	AD17248HB5151M0(OCW)	◎	48	1.05	50.40	4800	10.24	362.00	1.33	33.78	65.7	762
	172x150x51	AD17248UB5151M0(OCW)	◎	48	1.25	60.00	5300	11.80	417.00	1.69	42.93	67.9	762

# DC Fan Signal Control Models

**Output of locked signal** **FG 3C**

\*Output type..... Open Drain type  
\*Electrical specification:

\*Mosfet Q1 at "ON" position  
Drain current..... $I_c=10\text{mA}$  Max  
Saturation Voltage..... $V_{ce}=0.5\text{V}$  Max

\*Mosfet Q1 at "OFF" position  
Release Voltage..... $V_{ce}=6\text{V}$  Max  
\*Fan supply Voltage..... $V_{cc}=6\text{V}$  Max

\*Output waveform

**Output of locked signal** **FG 3D**

\*Output type.....Open collector type  
\*Electrical specification:

\*Transistor Q1 at "ON" position  
Collector current..... $I_c=10\text{mA}$  Max  
Saturation Voltage..... $V_{ce}=1.0\text{V}$  Max  
(Between Collector and Emitter at  $I_c=10\text{mA}$ )  
\*Transistor Q1 at "OFF" position  
Release Voltage..... $V_{ce}=30\text{V}$  Max

\*Output waveform

**Output of locked signal** **FG 3E**

\*Output type.....Open collector type  
\*Electrical design suggestion:

\*Transistor Q1 at "ON" position  
Collector current..... $I_c=10\text{mA}$  Max  
Saturation Voltage..... $V_{ce}=1.0\text{V}$  Max  
(Between Collector and Emitter at  $I_c=10\text{mA}$ )  
\*Transistor Q1 at "OFF" position  
Release Voltage..... $V_{ce}=30\text{V}$  Max

\*Output waveform

**Output of locked signal** **FG 6A**

\*Output type.....Open collector type  
\*Electrical design suggestion:

\*Transistor Q1 at "ON" position  
Collector current..... $I_c=10\text{mA}$  Max  
Saturation Voltage..... $V_{ce}=1.0\text{V}$  Max  
\*Transistor Q1 at "OFF" position  
Release Voltage..... $V_{ce}=30\text{V}$  Max

\*Output waveform

**Output of locked signal** **FG 6B**

\*Output type.....Open Drain type  
\*Electrical specification:

\*Mosfet Q1 at "ON" position  
Drain current..... $I_c=10\text{mA}$  Max  
Saturation Voltage..... $V_{ce}=0.5\text{V}$  Max  
\*Mosfet Q1 at "OFF" position  
Release Voltage..... $V_{ce}=30\text{V}$  Max

\*Output waveform

**Output of locked signal** **RD 2A**

\*Output type.....Open collector type  
\*Electrical specification:

\*Transistor Q1 at "ON" position  
Collector current..... $I_c=10\text{mA}$  Max  
Saturation Voltage..... $V_{ce}=1.0\text{V}$  Max  
(Between Collector and Emitter at  $I_c=10\text{mA}$ )  
\*Transistor Q1 at "OFF" position  
Release Voltage..... $V_{ce}=30\text{V}$  Max

\*Output waveform

**Output of locked signal** **RD 2C**

\*Output type.....Open collector type  
\*Electrical specification:

\*Transistor Q1 at "ON" position  
Collector current..... $I_c=10\text{mA}$  Max  
Saturation Voltage..... $V_{ce}=1.0\text{V}$  Max  
(Between Collector and Emitter at  $I_c=10\text{mA}$ )  
\*Transistor Q1 at "OFF" position  
Release Voltage..... $V_{ce}=30\text{V}$  Max

\*Output waveform

**Variable Speed by Thermistor** **Version 4(VS)**  
For example, AD0812HX-A74  
Diagram:

\*Variable degree

**Two speed control** **Version 7(TS)**  
\*For example, AD0812HX-C77  
\*Diagram:

\*Constant level

# DC Fan Signal Control Models

### PROVISION OF DIGITAL PWM SPEED CONTROL

#### PWM 9A

(External signal function design)

\*DIGITAL PWM SPEED CONTROL POSITION

PWM INPUT VOLTAGE HIGH  $V_{in} = 5.5 \text{ V MAX}$

PWM INPUT VOLTAGE LOW  $V_{in} = 0.5 \text{ V MAX}$

\*PWM INPUT FREQUENCY  $FPWM = 18\text{KHZ} - 30\text{KHZ}$

### PROVISION OF DIGITAL PWM SPEED CONTROL & LOCKED SIGNAL (F.G)

#### PWM 9A

Fourth Lead Wire Design

Output of locked signal  $\text{--- OPEN DRAIN TYPE}$

\*Electrical design suggestion:  $R = 4.7\text{K} - 10\text{K}$   
(External signal function design is decided by customer)

\*MOSFET Q1 AT "ON" POSITION  
DRAIN CURRENT  $I_D = 10\text{mA MAX}$   
SATURATION VOLTAGE  $V_{DS} = 0.5 \text{ V MAX}$

\*MOSFET Q1 AT "OFF" POSITION  
RELEASE VOLTAGE  $V_{DS} = 5.5 \text{ V MAX}$

\*DIGITAL PWM SPEED CONTROL POSITION

PWM INPUT VOLTAGE HIGH  $V_{in} = 5.5 \text{ V MAX}$

PWM INPUT VOLTAGE LOW  $V_{in} = 0.5 \text{ V MAX}$

\*PWM INPUT FREQUENCY  $FPWM = 18\text{KHZ} - 30\text{KHZ (MAX)}$

### PROVISION OF DIGITAL PWM SPEED CONTROL & LOCKED SIGNAL (F.G)

#### PWM 9A

Fourth Lead Wire Design

Output of locked signal  $\text{--- OPEN COLLECTOR TYPE}$

(External signal function design is decided by customer)

\*TRANSISTOR Q1 AT "ON" POSITION  
COLLECTOR CURRENT  $I_C = 10\text{mA MAX}$   
SATURATION VOLTAGE  $V_{CE} = 1 \text{ V MAX}$

\*TRANSISTOR Q1 AT "OFF" POSITION  
RELEASE VOLTAGE  $V_{CE} = 15 \text{ V MAX}$

\*DIGITAL PWM SPEED CONTROL POSITION

PWM INPUT VOLTAGE HIGH  $V_{in} = 5.5 \text{ V MAX}$

PWM INPUT VOLTAGE LOW  $V_{in} = 0.5 \text{ V MAX}$

\*PWM INPUT FREQUENCY  $FPWM = 18\text{KHZ} - 30\text{KHZ}$

## DC FAN GENERAL SPECIFICATION

### DIELECTRIC STRENGTH

..1MA MAX AT 500VAC FOR 1 MIN BETWEEN LEAD WIRE AND FRAME

### INSULATION RESISTANCE

.....10M OHM BETWEEN LEAD WIRE AND FRAME(DC 500V)

### LIFE EXPECTANCY(BALL BEARING)

...70,000HRS MIN AT +40 DEGREE C/L 10 RELATIVE HUMIDITY 65%+/-20%

### LIFE EXPECTANCY(HYPRO BEARING)

..>40,000HRS MIN AT +40 DEGREE C/L 10 RELATIVE HUMIDITY 65%+/-20%

### LIFE EXPECTANCY

..>60,000HRS MIN AT +40 DEGREE C/L 10 RELATIVE HUMIDITY 65%+/-20%

### OPERATION TEMPERATURE

.....-10 TO +70 DRGREE C(+14 TO+158 DEGREE F),STANDARD

.....-10 TO +90 DEGREE C(+14 TO+194 DEGREE F),SPECIFIC

### STORAGE TEMPERATURE

..-40 TO +70 DEGREE C(-40 TO+158 DEGREE F)

### PROTECTION

...MOTOR PROTECTION AND POLARITY PROTECTION

### LEAD WIRE

.....UL1571AWG28,30

.....UL1007AWG24,26

.....UL1061AWG26

### PLASTIC MATERIAL

.....BLACK PBT(UL 94V-0) WITH GLASS FIBER

[ The technical characteristics given in this catalogue are standard plastic version,  
12VDC unless specified. ]



# Blower

■ AB 30mm ~ 120mm / Thickness : min 07mm ~ max 33mm



Bearing type: ○=Ball ※=Sleeve ●=Hypro Bearing

	Frame size (mm)	Model No.	Bearing Type	Rated Voltage (VDC)	Current (A)	Power (W)	Rated Speed (RPM)	Maximum AirFlow (CMM) (CFM)	Maximum Pressure (InAq) (mmAq)	*Noise Level (dB/A)	Weight (g)
<b>AB3010</b>	30x30x10	AB0305MB-GA0(T)	○	5	0.08	0.42	7500	0.03 0.90	0.17 4.42	29.8	12
	30x30x10	AB0312MB-GA0(T)	○	12	0.07	0.78	7500	0.03 0.90	0.17 4.42	29.8	12
	30x30x10	AB0312HB-GA0(T)	◎	12	0.09	1.04	9000	0.03 1.10	0.22 5.59	34.0	12
<b>AB3507</b>	35x35x07	AB3505LX-QB0(TX)	●	5	0.10	0.52	5500	0.03 0.90	0.13 3.20	20.0	13
	35x35x07	AB3505MX-QB0(TX)	●	5	0.14	0.70	6500	0.03 1.00	0.19 4.83	25.5	13
	35x35x07	AB3512MX-QB0(TX)	●	12	0.10	1.14	6500	0.03 1.00	0.19 4.83	25.5	13
<b>AB3510</b>	35x35x10	AB3505LB-GA0(T)	○	5	0.08	0.38	5000	0.03 1.00	0.11 2.79	23.8	16
	35x35x10	AB3505MB-GA0(T)	○	5	0.09	0.45	6000	0.03 1.20	0.16 3.96	29.7	16
	35x35x10	AB3505HB-GA0(T)	◎	5	0.15	0.73	7000	0.04 1.40	0.20 5.08	35.0	16
	35x35x10	AB3512MB-GA0(T)	○	12	0.06	0.74	6000	0.03 1.20	0.16 3.96	29.7	16
	35x35x10	AB3512HB-GA0(T)	◎	12	0.07	0.89	7000	0.04 1.40	0.20 5.08	35.0	16
<b>AB4507</b>	45x45x07	AB4505LX-QA0	●	5	0.07	0.35	4700	0.04 1.42	0.21 5.21	26.4	23
	45x45x07	AB4505MX-QA0	●	5	0.08	0.40	5500	0.05 1.60	0.26 6.68	31.0	23
	45x45x07	AB4505HX-QA0	●	5	0.12	0.60	6200	0.05 1.82	0.31 7.87	34.2	23
<b>AB4510</b>	45x45x10	AB4505LB-GD1(B)	◎●	5	0.07	0.35	4000	0.05 1.79	0.16 4.06	26.7	26
	45x45x10	AB4505MB-GD1(B)	◎●	5	0.09	0.45	5000	0.07 2.30	0.25 6.35	31.1	26
	45x45x10	AB4512LB-GD0(B)	◎●	12	0.06	0.72	4000	0.05 1.79	0.16 4.06	26.7	26
	45x45x10	AB4512MB-GD0(B)	◎●	12	0.07	0.84	5000	0.07 2.30	0.25 6.35	31.1	26
	45x45x10	AB4512HB-GD0(B)	◎●	12	0.09	1.08	5800	0.08 2.70	0.34 8.64	37.0	26
<b>AB5009</b>	50x50x09	AB0505LB-RB1(A)	○	5	0.06	0.30	4000	0.06 2.00	0.19 4.90	30.0	28
<b>AB5020</b>	50X50X20	AB05012DB200300	◎	12	0.08	0.96	3700	0.13 4.63	0.34 8.64	25.6	30
	50X50X20	AB05012LB200300	◎	12	0.12	1.44	4200	0.15 5.23	0.45 11.43	30.1	30
	50X50X20	AB05012MB200300	◎	12	0.16	1.92	4700	0.16 5.79	0.54 13.72	33.5	30
	50X50X20	AB05012HB200300	◎	12	0.19	2.28	5200	0.18 6.43	0.73 18.54	36.4	30
	50X50X20	AB05012UB200300	◎	12	0.25	3.00	5700	0.20 7.20	0.89 22.61	39.5	30
	50X50X20	AB05024MB200300	◎	24	0.06	1.44	4700	0.16 5.79	0.54 13.82	33.5	30
	50X50X20	AB05024HB200300	◎	24	0.10	2.40	5200	0.18 6.43	0.73 18.52	36.4	30
	50X50X20	AB05024UB200300	◎	24	0.12	2.88	5700	0.20 7.20	0.89 22.68	39.5	30
<b>AB5115</b>	51x51x15	AB05105LB150300	○	5	0.08	0.40	3500	0.07 2.38	0.20 5.08	31.6	26
	51x51x15	AB05105MB150300	○	5	0.14	0.70	4500	0.09 3.33	0.35 8.89	37.1	26
	51x51x15	AB05105HB150300	◎	5	0.20	1.00	5500	0.12 4.17	0.50 12.70	38.0	26
	51x51x15	AB05105UB150300	◎	5	0.40	2.00	6500	0.14 5.07	0.93 23.62	43.0	26
	51x51x15	AB05112LB150300	◎	12	0.05	0.60	3500	0.07 2.38	0.20 5.08	31.6	26
	51x51x15	AB05112MB150300	◎	12	0.08	0.96	4500	0.11 3.33	0.35 5.59	37.1	26
	51x51x15	AB05112HB150300	◎	12	0.12	1.44	5500	0.13 4.17	0.50 10.01	38.0	26



\*:Noise is measured at the distance of 1 meter from the axis of intake.  
Specifications are subject to change without prior notice.

Bearing type: ○=Ball ※=Sleeve ●=Hypro Bearing

	Frame size (mm)	Model No.	Bearing Type	Rated Voltage (VDC)	Current (A)	Power (W)	Rated Speed (RPM)	Maximum AirFlow (CMM) (CFM)	Maximum Pressure (InAq) (mmAq)	*Noise Level (dB/A)	Weight (g)
<b>AB5115</b>	51x51x15	AB05112UB150300	○	12	0.18	2.16	6500	0.17 5.07	0.93 12.45	43.0	26
<b>AB6015</b>	60x60x15	AB0612LB-D03	○	12	0.07	0.84	2800	0.10 3.50	0.22 5.59	28.4	35
	60x60x15	AB0612MB-D03	○	12	0.10	1.20	3500	0.14 5.10	0.45 11.43	37.8	35
	60x60x15	AB0612HB-D03	○	12	0.14	1.68	4200	0.16 5.60	0.54 13.72	40.3	35
	60x60x15	AB0612UB-D03	○	12	0.20	2.40	5000	0.20 6.90	0.84 21.34	45.5	35
<b>AB6025</b>	60x60x25	AB06012DB250300	○	12	0.05	0.60	2300	0.11 3.90	0.19 4.83	23.5	45
	60x60x25	AB06012LB250300	○	12	0.09	1.08	2800	0.14 4.90	0.33 8.38	28.9	45
	60x60x25	AB06012MB250300	○	12	0.13	1.56	3300	0.16 5.80	0.35 8.89	36.2	45
	60x60x25	AB06012HB250300	○	12	0.28	3.36	3800	0.20 7.10	0.59 14.99	39.9	45
<b>AB7025</b>	70x70x25	AB07012LB250302	○	12	0.15	1.80	2600	0.20 7.20	0.42 10.67	32.4	62
	70x70x25	AB07012MB250302	○	12	0.20	2.40	3200	0.26 9.10	0.73 18.54	38.9	62
	70x70x25	AB07012HB250302	○	12	0.27	3.24	3800	0.31 10.80	0.94 23.88	41.8	62
	70x70x25	AB07012UB250302	○	12	0.33	3.96	4500	0.34 12.00	1.39 35.31	46.1	62
<b>AB7530</b>	75x75x30	AB07512DB300100	○	12	0.10	1.16	2200	0.25 8.90	0.20 5.08	28.7	80
	75x75x30	AB07512LB300100	○	12	0.18	2.16	2800	0.32 11.40	0.35 8.89	37.6	80
	75x75x30	AB07512MB300100	○	12	0.25	3.00	3400	0.39 13.80	0.56 14.22	41.7	80
	75x75x30	AB07512HB300100	○	12	0.32	3.84	3900	0.45 15.90	0.77 19.56	45.4	80
	75x75x30	AB07512UB300100	○	12	0.48	5.76	4500	0.52 18.50	1.02 25.91	49.1	80
<b>AB9733</b>	97x94x33	AB09712LB330B01	○	12	0.30	3.60	2500	0.53 18.56	0.33 8.43	43.3	193
	97x94x33	AB09712MB330B01	○	12	0.50	6.00	3200	0.69 24.32	0.60 15.16	50.6	193
	97x94x33	AB09712HB330B01	○	12	0.75	9.00	3900	0.80 28.41	1.11 28.14	54.7	193
	97x94x33	AB09712UB330B01	○	12	1.10	13.20	4600	0.97 34.44	1.63 41.35	59.2	193
	97x94x33	AB09712XB330B01	○	12	1.90	22.80	5300	1.11 39.16	2.29 58.25	63.1	193
	97x94x33	AB09712VB330B01	○	12	2.80	33.60	6000	1.28 45.26	3.00 76.28	65.8	193
	97x94x33	AB09724LB330B01	○	24	0.12	2.88	2500	0.53 18.56	0.33 8.43	43.3	193
	97x94x33	AB09724MB330B01	○	24	0.20	4.80	3200	0.69 24.32	0.60 15.16	50.6	193
	97x94x33	AB09724HB330B01	○	24	0.43	10.32	3900	0.80 28.41	1.11 28.14	54.7	193
	97x94x33	AB09724UB330B01	○	24	0.69	16.56	4600	0.97 34.44	1.63 41.35	59.2	193
<b>AB12032</b>	120x120x32	AB1212DB-Y0B	○※●	12	0.26	3.12	1800	0.60 21.09	0.42 10.62	46.6	251
	120x120x32	AB1212LB-Y0B	○※●	12	0.41	4.92	2100	0.71 25.20	0.62 15.85	48.0	251
	120x120x32	AB1212MB-Y0B	○※●	12	0.53	6.36	2300	0.80 28.20	0.89 22.58	49.0	251
	120x120x32	AB1212HB-Y0B	○※●	12	0.79	9.48	2600	0.88 31.21	1.22 31.01	55.0	251
	120x120x32	AB1212UB-Y0B	○※●	12	0.94	11.28	2800	0.95 33.62	1.45 36.78	53.3	251

# Blower

■ AB 30mm ~ 120mm / Thickness : min 07mm ~ max 33mm



120x120x32

Bearing type: ◎=Ball ※=Sleeve ●=Hypro Bearing

AB12032

Frame size (mm)	Model No.	Bearing Type	Rated Voltage (VDC)	Current (A)	Power (W)	Rated Speed (RPM)	Maximum AirFlow (CMM) (CFM)		Maximum Pressure (InAq) (mmAq)		*Noise Level (dB/A)	Weight (g)
120x120x32	AB1212XB-Y0B	◎	12	1.12	13.44	3100	1.03	36.32	1.60	40.69	57.0	251
120x120x32	AB1224DB-Y0B	◎※●	24	0.19	4.56	1800	0.60	21.09	0.42	10.62	46.6	251
120x120x32	AB1224LB-Y0B	◎※●	24	0.25	6.00	2100	0.71	25.20	0.62	15.85	48.0	251
120x120x32	AB1224MB-Y0B	◎※●	24	0.36	8.64	2300	0.80	28.20	0.89	22.58	49.0	251
120x120x32	AB1224HB-Y0B	◎※●	24	0.43	10.32	2600	0.88	31.21	1.22	31.01	55.0	251
120x120x32	AB1224UB-Y0B	◎※●	24	0.50	12.00	2800	0.95	33.62	1.45	36.78	53.3	251
120x120x32	AB1224XB-Y0B	◎	24	0.68	16.32	3100	1.03	36.32	1.60	40.69	57.0	251
120x120x32	AB1248DB-Y0B	◎※●	48	0.09	4.32	1800	0.60	21.09	0.42	10.62	46.6	251
120x120x32	AB1248LB-Y0B	◎※●	48	0.16	7.68	2100	0.71	25.20	0.62	15.85	48.0	251
120x120x32	AB1248MB-Y0B	◎※●	48	0.18	8.64	2300	0.80	28.20	0.89	22.58	49.0	251
120x120x32	AB1248HB-Y0B	◎※●	48	0.22	10.56	2600	0.88	31.21	1.22	31.01	55.0	251
120x120x32	AB1248UB-Y0B	◎※●	48	0.29	13.92	2800	0.95	33.62	1.45	36.78	53.3	251



# DC Chip cooler

■ AP 35mm ~ 50mm  
Thickness : min 08mm ~ max 10mm



45x45x10



40x40x08

\*:Noise is measured at the distance of 1 meter from the axis of intake.  
Specifications are subject to change without prior notice.

Bearing type: ●=Ball ※=Sleeve ●=Hypro Bearing

	Frame size (mm)	Model No.	Bearing Type	Rated Voltage (VDC)	Current (A)	Power (W)	Rated Speed (RPM)	Maximum AirFlow (CMM) (CFM)	Maximum Pressure (InAq) (mmAq)	*Noise Level (dB/A)	Weight (g)
AP3508	35x35x08	AP3505LX-J70(TX)	●	5	0.07	0.35	7500	0.07 2.40	0.08 1.70	20.0	12
	35x35x08	AP3505MX-J70(TX)	●	5	0.11	0.55	9000	0.09 3.30	0.14 3.51	27.9	6
	35x35x08	AP3505HX-J70(TX)	●	5	0.13	0.65	10500	0.12 4.10	0.15 3.84	32.0	6
	35x35x08	AP3512MX-J70(TX)	●	12	0.06	0.72	9000	0.09 3.30	0.14 3.51	27.9	6
	35x35x08	AP3512HX-J70(TX)	●	12	0.09	1.08	10500	0.12 4.10	0.15 3.84	32.0	6
AP4008	40x40x08	AP0405MX-J70	●	5	0.10	0.50	7000	0.13 4.70	0.11 2.82	28.0	15
	40x40x08	AP0412MX-J70	●	12	0.06	0.72	7000	0.13 4.70	0.11 2.82	28.0	15
AP4010	40x40x10	AP0405MX-G70	●	5	0.13	0.65	8000	0.13 4.70	0.11 2.82	28.0	20
	40x40x10	AP0412LX-G70	●	12	0.05	0.60	6500	0.10 3.50	0.06 1.60	19.0	20
	40x40x10	AP0412MX-G70	●	12	0.07	0.84	8000	0.13 4.70	0.11 2.82	28.0	20
AP4508	45x45x08	AP4505LX-J90	●	5	0.04	0.20	4500	0.12 4.20	0.04 1.12	19.5	20
	45x45x08	AP4505MX-J90	●	5	0.07	0.35	5500	0.15 5.20	0.06 1.63	23.8	20
	45x45x08	AP4505HX-J90	●	5	0.09	0.45	6200	0.17 6.00	0.09 2.29	30.0	20
	45x45x08	AP4512LX-J90	●	12	0.04	0.48	4500	0.12 4.20	0.04 1.12	19.5	20
	45x45x08	AP4512MX-J90	●	12	0.05	0.60	5500	0.15 5.20	0.06 1.63	23.8	20
	45x45x08	AP4512HX-J90	●	12	0.05	0.60	6200	0.17 6.00	0.09 2.29	30.0	20
AP4510	45x45x10	AP4505LX-G90	●	5	0.05	0.25	4800	0.13 4.50	0.05 1.30	19.9	20
	45x45x10	AP4505MX-G90	●	5	0.08	0.40	5800	0.16 5.50	0.07 1.70	25.0	20
	45x45x10	AP4505HX-G90	●	5	0.09	0.45	6500	0.17 6.00	0.09 2.29	30.0	20
	45x45x10	AP4512LX-G90	●	12	0.04	0.48	4800	0.13 4.50	0.05 1.30	19.9	20
	45x45x10	AP4512MX-G90	●	12	0.05	0.60	5800	0.16 5.50	0.07 1.70	25.0	20
	45x45x10	AP4512HX-G90	●	12	0.05	0.60	6500	0.17 6.00	0.09 2.29	30.0	20
AP5008	50x50x08	AP0505LX-J90	●	5	0.05	0.25	4300	0.18 6.20	0.06 1.42	23.0	24
	50x50x08	AP0505MX-J90	●	5	0.08	0.40	5000	0.20 7.10	0.07 1.88	25.5	24
	50x50x08	AP0505HX-J90	●	5	0.08	0.40	6300	0.26 9.20	0.10 2.62	32.6	24
	50x50x08	AP0512LX-J90	●	12	0.05	0.60	4300	0.18 6.20	0.06 1.42	23.0	24
	50x50x08	AP0512MX-J90	●	12	0.05	0.60	5000	0.20 7.10	0.07 1.88	25.5	24
	50x50x08	AP0512HX-J90	●	12	0.08	0.96	6300	0.26 9.20	0.10 2.62	32.6	24

# Water Dust & proof



60X60X25



70x70x25

\*.Noise is measured at the distance of 1 meter from the axis of intake.  
Specifications are subject to change without prior notice.

Bearing type: ●=Ball ※=Sleeve ●=Hypro Bearing

	Frame size (mm)	Model No.	Bearing Type	Rated Voltage (VDC)	Current (A)	Power (W)	Rated Speed (RPM)	Maximum AirFlow (CMM)	Maximum AirFlow (CFM)	Maximum Pressure (InAq)	Maximum Pressure (mmAq)	*Noise Level (dB/A)	Weight (g)
<b>AB6015(IP68)</b>	60x60x15	AB0605HB-D01(05)	●	5	0.27	1.35	4200	0.16	5.60	0.54	13.72	40.3	35
	60x60x25	AG06005DB257B03(05)	●	5	0.06	0.30	2000	0.28	9.92	0.05	1.32	17.5	62
	60x60x25	AG06005LB257B03(05)	●	5	0.14	0.70	3000	0.44	15.50	0.11	2.82	23.6	62
	60x60x25	AG06005MB257B03(05)	●	5	0.26	1.30	4000	0.60	21.03	0.20	5.13	29.3	62
	60x60x25	AG06012DB257B03(05)	●	12	0.04	0.48	2000	0.28	9.92	0.05	1.32	17.5	62
	60x60x25	AG06012LB257B03(05)	●	12	0.06	0.72	3000	0.44	15.50	0.11	2.82	23.6	62
	60x60x25	AG06012MB257B03(05)	●	12	0.10	1.20	4000	0.60	21.03	0.20	5.13	29.3	62
<b>AG6025(IP68)</b>	60x60x25	AG06012HB257B03(05)	●	12	0.16	1.92	5000	0.74	26.18	0.30	7.57	38.4	62
	60x60x25	AG06012UB257B03(05)	●	12	0.25	3.00	6000	0.90	31.64	0.45	11.30	42.7	62
	60x60x25	AG06012XB257B03(05)	●	12	0.38	4.56	7000	1.05	36.98	0.62	15.80	46.7	62
	60x60x25	AG06024DB257B03(05)	●	24	0.03	0.72	2000	0.28	9.92	0.05	1.32	17.5	62
	60x60x25	AG06024LB257B03(05)	●	24	0.04	0.96	3000	0.44	15.50	0.11	2.82	23.6	62
	60x60x25	AG06024MB257B03(05)	●	24	0.06	1.44	4000	0.60	21.03	0.20	5.13	29.3	62
	60x60x25	AG06024HB257B03(05)	●	24	0.10	2.40	5000	0.74	26.18	0.30	7.57	38.4	62
<b>AD8025(IC/IP68)</b>	60x60x25	AG06024UB257B03(05)	●	24	0.12	2.88	6000	0.90	31.64	0.45	11.30	42.7	62
	60x60x25	AG06024XB257B03(05)	●	24	0.18	4.32	7000	1.05	36.98	0.62	15.80	46.7	62
	80x80x25	AD08012LB257B04(05)	●●	12	0.04	0.48	2000	0.69	24.39	0.07	1.73	23.6	72
	80x80x25	AD08012MB257B04(05)	●●	12	0.08	0.98	2400	0.88	30.92	0.11	2.84	30.0	72
	80x80x25	AD08012HB257B04(05)	●●	12	0.10	1.20	3000	1.05	37.24	0.16	3.99	35.8	72
	80x80x25	AD08012UB257B04(05)	●●	12	0.18	2.16	3600	1.28	45.29	0.22	5.49	42.0	72
	80x80x25	AD08012XB257B04(05)	●●	12	0.30	3.60	4500	1.61	56.83	0.35	8.89	48.1	72
	80x80x25	AD08024MB257B04(05)	●●	24	0.05	1.20	2500	0.88	30.92	0.11	2.84	30.0	72
	80x80x25	AD08024HB257B04(05)	●●	24	0.06	1.44	3000	1.05	37.24	0.16	3.99	35.8	72
	80x80x25	AD08024UB257B04(05)	●●	24	0.09	2.16	3600	1.28	45.29	0.22	5.49	42.0	72
80x80x25	AD08024XB257B04(05)	●●	24	0.18	4.32	4500	1.61	56.83	0.35	8.89	48.1	72	
<b>AD8025(T/IP68)</b>	80x80x25	AD08012DB257604(05)	●●	12	0.03	0.36	1600	0.56	19.89	0.05	1.17	18.3	72
	80x80x25	AD08012LB257604(05)	●●	12	0.05	0.60	2000	0.69	24.39	0.07	1.73	23.6	72
	80x80x25	AD08012MB257604(05)	●●	12	0.08	0.96	2500	0.88	30.92	0.11	2.84	30.0	72
	80x80x25	AD08012HB257604(05)	●●	12	0.15	1.80	3000	1.05	37.24	0.16	3.99	35.8	72
	80x80x25	AD08012UB257604(05)	●●	12	0.18	2.16	3400	1.23	43.50	0.20	5.18	40.5	72
	80x80x25	AD08024MB257604(05)	●●	24	0.04	0.96	2500	0.88	30.92	0.11	2.84	30.0	72
	80x80x25	AD08024HB257604(05)	●●	24	0.06	1.44	3000	1.05	37.24	0.16	3.99	35.8	72
	80x80x25	AD08024UB257604(05)	●●	24	0.09	2.16	3400	1.23	43.50	0.20	5.18	40.5	72
<b>AS8038(IP68)</b>	80x80x38	AS08012LB385BB2(05NS)	●	12	1.42	17.04	9500	2.67	94.38	1.82	46.25	64.4	219
	80x80x38	AS08012MB385BB2(05NS)	●	12	2.50	30.00	11500	3.27	115.44	2.69	68.35	68.8	219

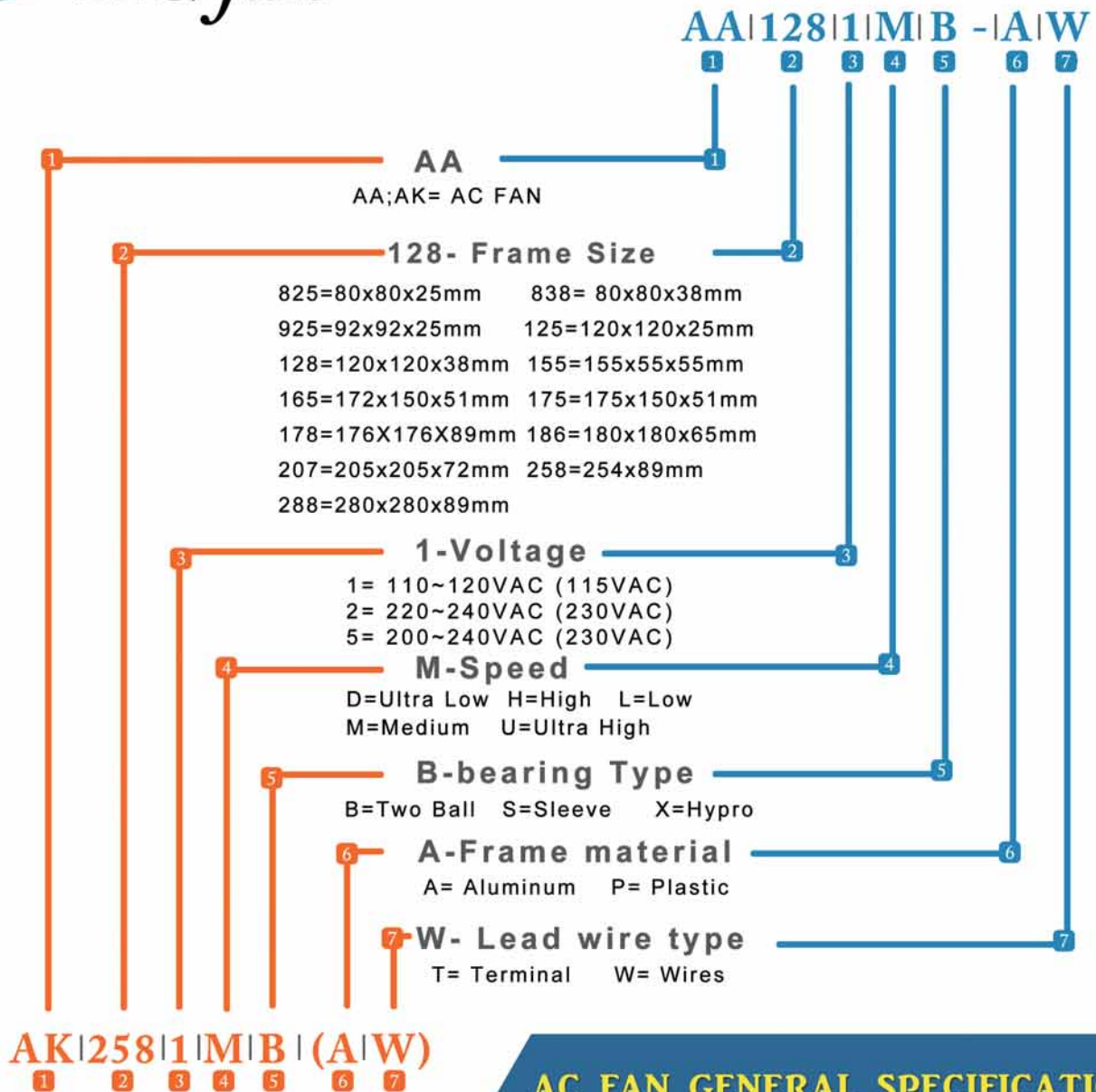
# Water proof & Dust proof

\*:Noise is measured at the distance of 1 meter from the axis of intake.  
Specifications are subject to change without prior notice.

Bearing type: ○=Ball ※=Sleeve ●=Hypro Bearing

	Frame size (mm)	Model No.	Bearing Type	Rated Voltage (VDC)	Current (A)	Power (W)	Rated Speed (RPM)	Maximum AirFlow (CMM) (CFM)		Maximum Pressure (InAq) (mmAq)		*Noise Level (dB/A)	Weight (g)
<b>AS8038(IP68)</b>	80x80x38	AS08012HB385BB2(05NS)	○	12	4.10	49.20	13500	3.84	135.79	3.94	100.00	73.1	219
	80x80x38	AS08024LB385BB2(05NS)	○	24	0.75	18.00	9500	2.67	94.38	1.82	46.25	64.4	219
	80x80x38	AS08024MB385BB2(05NS)	○	24	1.19	28.56	11500	3.27	115.44	2.69	68.35	68.8	219
	80x80x38	AS08024HB385BB2(05NS)	○	24	1.88	45.12	13500	3.84	135.79	3.94	100.00	73.1	219
	80x80x38	AS08048LB385BB2(05NS)	○	48	0.40	19.20	9500	2.67	94.38	1.82	46.25	64.4	219
	80x80x38	AS08048MB385BB2(05NS)	○	48	0.64	30.72	11500	3.27	115.44	2.69	68.35	68.8	219
	80x80x38	AS08048HB385BB2(05NS)	○	48	1.14	54.72	13500	3.84	135.79	3.94	100.00	73.1	219
<b>AY9225(IP68)</b>	120x86x25	AY09212HB257100(V59T)	○	12	0.35	4.20	3800	1.83	64.73	0.31	7.82	46.8	85
<b>AS12038(IP68)</b>	120x120x38	AS12012DB389B00(05)	○	12	0.60	7.20	3000	3.20	113.01	0.34	8.71	49.9	375
	120x120x38	AS12012LB389B00(05)	○	12	1.30	15.60	4000	4.34	153.18	0.64	16.33	57.1	375
	120x120x38	AS12012MB389B00(05)	○	12	2.30	27.60	5000	5.40	190.66	0.95	24.13	63.2	375
	120x120x38	AS12012HB389B00(05)	○	12	3.70	44.40	6000	6.46	228.36	1.34	34.04	67.7	375
	120x120x38	AS12024DB389B00(05)	○	24	0.35	8.40	3000	3.20	113.01	0.34	8.71	49.9	375
	120x120x38	AS12024LB389B00(05)	○	24	0.65	15.60	4000	4.34	153.18	0.64	16.33	57.1	375
	120x120x38	AS12024MB389B00(05)	○	24	1.05	25.20	5000	5.40	190.66	0.95	24.13	63.2	375
	120x120x38	AS12024HB389B00(05)	○	24	1.75	42.00	6000	6.46	228.36	1.34	34.04	67.7	375
	120x120x38	AS12048DB389B00(05)	○	48	0.20	9.60	3000	3.20	113.01	0.34	8.71	49.9	375
	120x120x38	AS12048LB389B00(05)	○	48	0.35	16.80	4000	4.34	153.18	0.64	16.33	57.1	375
	120x120x38	AS12048MB389B00(05)	○	48	0.55	26.40	5000	5.40	190.66	0.95	24.13	63.2	375
	120x120x38	AS12048HB389B00(05)	○	48	0.85	40.80	6000	6.46	228.36	1.34	34.04	67.7	375





## AC FAN GENERAL SPECIFICATION

- ELECTRIC STRENGTH : 1500VAC for 1 minute to base on UL507
- INSULATION RESISTANCE : 100M ohm between lead wire and frame (DC 500V)
- LIFE EXPECTANCY (BALL BEARING) : 50,000hrs min at 40 °C/ L10 relative humidity 20%~85%
- LIFE EXPECTANCY (SLEEVE BEARING) : 30,000hrs min at 25 °C/ L10 relative humidity 20%~85%
- OPERATION TEMPERATURE : -10 to + 70 °C (+14 to 176 °F)
- STORAGE TEMPERATURE : -40 to + 70 °C (-40 to +167)°F
- PLASTIC MATERIAL : Black PBT (UL 94v-0) with glass fiber
- ALUMINUM MATERIAL : High quality aluminum die-casting frame flatted with black paint

# AC Fan

- AK 172mm ~ 280mm / Thickness : min 51mm ~ max 89mm
- AA 80mm ~ 172mm / Thickness : min 25mm ~ max 51mm



120X25



254x89

Bearing type: ●=Ball ※=Sleeve ●=Hypro Bearing

	Frame size (mm)	Model No.	Bearing Type	Volt Freq. (VAC/Hz)	Current (A)	Power (W)	Rated Speed (RPM)	Maximum AirFlow (CMM) (CFM)	Maximum Pressure (InAq) (mmAq)	*Noise Level (dB/A)	Weight (g)
AA8025	80x80x25	AA8251MB-AT	◎※	115/50	0.13	13.90	1900	0.42 15.00	0.08 1.91	18.3	210
	80x80x25	AA8251MB-AT	◎※	115/60	0.12	11.80	2500	0.54 19.00	0.12 3.00	24.0	210
	80x80x25	AA8251HB-AT	◎※	115/50	0.08	7.40	2300	0.48 17.00	0.10 2.51	21.2	210
	80x80x25	AA8251HB-AT	◎※	115/60	0.07	5.80	2800	0.59 21.00	0.13 3.18	27.8	210
	80x80x25	AA8252MB-AT	◎※	230/50	0.08	16.10	2050	0.42 15.00	0.08 1.91	18.3	210
	80x80x25	AA8252MB-AT	◎※	230/60	0.07	14.20	2500	0.54 19.00	0.12 3.00	24.0	210
	80x80x25	AA8252HB-AT	◎※	230/50	0.07	15.18	2200	0.48 17.00	0.10 2.51	21.2	210
	80x80x25	AA8252HB-AT	◎※	230/60	0.06	13.11	2800	0.59 21.00	0.13 3.18	27.8	210
AA8038	80x80x38	AA8381MB-AT	◎※●	115/50	0.07	7.60	2300	0.62 22.00	0.11 2.72	25.3	320
	80x80x38	AA8381MB-AT	◎※●	115/60	0.06	6.50	2400	0.68 24.00	0.11 2.79	26.2	320
	80x80x38	AA8381HB-AT	◎※●	115/50	0.14	10.90	2400	0.68 24.00	0.11 2.79	26.2	320
	80x80x38	AA8381HB-AT	◎※●	115/60	0.11	8.10	2800	0.84 29.60	0.17 4.22	31.6	320
	80x80x38	AA8382MB-AT	◎※●	230/50	0.06	10.60	2300	0.62 22.00	0.11 2.72	25.3	320
	80x80x38	AA8382MB-AT	◎※●	230/60	0.05	8.60	2400	0.68 24.00	0.11 2.79	26.2	320
	80x80x38	AA8382HB-AT	◎※●	230/50	0.07	13.60	2400	0.68 24.00	0.11 2.79	26.2	320
	80x80x38	AA8382HB-AT	◎※●	230/60	0.06	10.10	2800	0.84 29.60	0.17 4.22	31.6	320
AA9225	92x92x25	AA9251MB-AT	◎※	115/50	0.12	14.90	1900	0.71 25.00	0.06 1.63	21.1	230
	92x92x25	AA9251MB-AT	◎※	115/60	0.10	12.90	2150	0.86 30.50	0.08 1.98	26.8	230
	92x92x25	AA9251HB-AT	◎※	115/50	0.08	7.40	1900	0.79 28.00	0.08 1.93	24.1	230
	92x92x25	AA9251HB-AT	◎※	115/60	0.07	6.00	2200	0.96 34.00	0.12 2.95	30.1	230
	92x92x25	AA9252MB-AT	◎※	230/50	0.07	14.90	1900	0.71 25.00	0.06 1.63	21.1	230
	92x92x25	AA9252MB-AT	◎※	230/60	0.06	12.90	2150	0.86 30.50	0.08 1.98	26.8	230
	92x92x25	AA9252HB-AT	◎※	230/50	0.07	13.40	2000	0.79 28.00	0.08 1.93	24.1	230
	92x92x25	AA9252HB-AT	◎※	230/60	0.06	11.00	2400	0.96 34.00	0.12 2.95	30.1	230
AA12025	120x120x25	AA1251MB-AT	◎※	115/50	0.24	22.30	2200	1.84 65.00	0.13 3.30	38.7	340
	120x120x25	AA1251MB-AT	◎※	115/60	0.20	18.80	2300	2.01 71.00	0.16 3.96	44.1	340
	120x120x25	AA1252MB-AT	◎※	230/50	0.10	21.60	2200	1.84 65.00	0.13 3.30	38.7	340
	120x120x25	AA1252MB-AT	◎※	230/60	0.10	19.40	2300	2.01 71.00	0.16 3.96	44.1	340
AA12038(A1CF)	120x120x38	AA1281HB-AT(A1CF)	◎※●	115/50	0.27	20.40	2700	2.58 91.20	0.31 7.87	42.6	550
	120x120x38	AA1281HB-AT(A1CF)	◎※●	115/60	0.22	17.20	3100	2.93 103.50	0.35 8.89	47.0	550
	120x120x38	AA1282HB-AT(A1CF)	◎※●	230/50	0.13	20.80	2700	2.58 91.20	0.31 7.87	42.6	550
	120x120x38	AA1282HB-AT(A1CF)	◎※●	230/60	0.11	17.60	3100	2.93 103.50	0.35 8.89	47.0	550
AA12038(CF)	120x120x38	AA1281DB-AT(CF)	◎※●	115/50	0.08	7.00	2300	1.98 70.00	0.13 3.30	39.2	550
	120x120x38	AA1281DB-AT(CF)	◎※●	115/60	0.08	6.60	1700	1.51 53.50	0.06 1.52	30.5	550
	120x120x38	AA1281LB-AT(CF)	◎※●	115/50	0.12	9.00	2400	2.15 76.00	0.18 4.57	40.1	550

# AC Fan

- AK 172mm ~ 280mm / Thickness : min 51mm ~ max 89mm
- AA 80mm ~ 172mm / Thickness : min 25mm ~ max 51mm



120X25



254x89

Bearing type: ○=Ball ※=Sleeve ●=Hypro Bearing

	Frame size (mm)	Model No.	Bearing Type	Current (A)	Power (W)	Rated Speed (RPM)	Maximum AirFlow (CMM) (CFM)		Maximum Pressure (InAq) (mmAq)		*Noise Level (dB/A)	Weight (g)	
AA12038(CF)	120x120x38	AA1281LB-AT(CF)	○※●	115/60	0.11	8.70	2200	2.02	71.50	0.10	2.54	37.9	550
	120x120x38	AA1281MB-AT(CF)	○※●	115/50	0.18	13.80	2600	2.31	81.50	0.24	6.10	41.0	550
	120x120x38	AA1281MB-AT(CF)	○※●	115/60	0.15	12.40	2800	2.46	87.00	0.21	5.33	42.0	550
	120x120x38	AA1281HB-AT(CF)	○※●	115/50	0.24	17.00	2600	2.41	85.00	0.31	7.87	42.2	550
	120x120x38	AA1281HB-AT(CF)	○※●	115/60	0.19	14.00	2900	2.75	97.00	0.35	8.89	44.5	550
	120x120x38	AA1282DB-AT(CF)	○※●	230/50	0.04	8.10	2300	1.98	70.00	0.13	3.30	39.2	550
	120x120x38	AA1282DB-AT(CF)	○※●	230/60	0.04	7.70	1700	1.51	53.50	0.06	1.52	30.5	550
	120x120x38	AA1282LB-AT(CF)	○※●	230/50	0.06	9.80	2400	2.15	76.00	0.18	4.57	40.1	550
	120x120x38	AA1282LB-AT(CF)	○※●	230/60	0.05	9.40	2200	2.02	71.50	0.10	2.54	37.9	550
	120x120x38	AA1282MB-AT(CF)	○※●	230/50	0.08	13.80	2600	2.31	81.50	0.24	6.10	41.0	550
	120x120x38	AA1282MB-AT(CF)	○※●	230/60	0.07	12.50	2800	2.46	87.00	0.21	5.33	42.0	550
	120x120x38	AA1282HB-AT(CF)	○※●	230/50	0.11	17.10	2600	2.41	85.00	0.31	7.87	42.2	550
	120x120x38	AA1282HB-AT(CF)	○※●	230/60	0.09	14.80	2900	2.75	97.00	0.35	8.89	44.5	550
	AA12038UB(CF)	120x120x38	AA1281UB-AT(CF)	○※●	115/50	0.28	21.20	2400	2.72	96.00	0.24	6.10	46.4
120x120x38		AA1281UB-AT(CF)	○※●	115/60	0.24	19.20	2600	3.03	107.00	0.25	6.35	48.1	550
120x120x38		AA1282UB-AT(CF)	○※●	230/50	0.14	21.30	2400	2.72	96.00	0.24	6.10	46.4	550
120x120x38		AA1282UB-AT(CF)	○※●	230/60	0.12	19.80	2600	3.03	107.00	0.25	6.35	48.1	550
AA17251	172x150x51	AA1751HB-AT	○	115/50	0.52	40.90	2500	5.55	196.00	0.43	10.80	52.3	930
	172x150x51	AA1751HB-AT	○	115/60	0.47	36.70	2800	5.94	210.00	0.27	6.76	53.0	930
	172x150x51	AA1752HB-AT	○	230/50	0.26	41.90	2500	5.55	196.00	0.43	10.80	52.3	930
	172x150x51	AA1752HB-AT	○	230/60	0.22	37.60	2800	5.94	210.00	0.27	6.76	53.0	930
AK17251(AK165)	172x150x51	AK1651HB	○	115/50	0.55	62.10	2600	4.87	172.00	0.43	11.00	55.5	1050
	172x150x51	AK1651HB	○	115/60	0.46	51.80	2700	5.35	189.00	0.41	10.36	57.7	1050
	172x150x51	AK1651MB	○	115/50	0.33	36.80	2400	4.53	160.00	0.34	8.64	53.0	1050
	172x150x51	AK1651MB	○	115/60	0.31	34.50	2300	3.96	140.00	0.18	4.57	50.3	1050
	172x150x51	AK1652HB	○	230/50	0.27	59.80	2600	4.87	172.00	0.43	11.00	55.5	1050
	172x150x51	AK1652HB	○	230/60	0.23	50.60	2700	5.35	189.00	0.41	10.36	57.7	1050
	172x150x51	AK1652MB	○	230/50	0.17	36.80	2400	4.53	160.00	0.34	8.64	53.0	1050
	172x150x51	AK1652MB	○	230/60	0.17	36.80	2300	3.96	140.00	0.18	4.57	50.3	1050
AK17251(AK175)	172x150x51	AK1751HB	○	115/50	0.25	27.60	2700	5.09	180.00	0.53	13.54	63.0	1050
	172x150x51	AK1751HB	○	115/60	0.24	26.50	3100	5.94	210.00	0.70	17.78	65.0	1050
	172x150x51	AK1751MB	○	115/50	0.15	16.10	2500	4.25	150.00	0.41	10.44	56.0	1050
	172x150x51	AK1751MB	○	115/60	0.19	20.70	2500	4.25	150.00	0.36	9.19	56.0	1050
	172x150x51	AK1752HB	○	230/50	0.11	23.00	2700	5.09	180.00	0.53	13.54	63.0	1050
	172x150x51	AK1752HB	○	230/60	0.13	27.60	3100	5.94	210.00	0.70	17.78	65.0	1050





92x25



172x150x51



280x89



120x38

\*:Noise is measured at the distance of 1 meter from the axis of intake.  
Specifications are subject to change without prior notice.

Bearing type: ○=Ball ※=Sleeve ●=Hypro Bearing

	Frame size (mm)	Model No.	Bearing Type	Volt Freq. (VAC/Hz)	Current (A)	Power (W)	Rated Speed (RPM)	Maximum AirFlow (CMM) (CFM)	Maximum Pressure (InAq) (mmAq)	*Noise Level (dB/A)	Weight (g)
AK17251(AK175)	172x150x51	AK1752MB	○	230/50	0.08	16.10	2500	4.25 150.00	0.41 10.44	56.0	1050
	172x150x51	AK1752MB	○	230/60	0.10	20.70	2500	4.25 150.00	0.36 9.19	56.0	1050
AK17689	176x176x89	AK1781HB	○	115/50	0.57	64.40	2800	9.34 330.00	0.64 16.26	66.4	1800
	176x176x89	AK1781HB	○	115/60	0.48	52.00	3200	10.75 380.00	0.81 20.57	70.0	1800
	176x176x89	AK1782HB	○	230/50	0.21	40.90	2800	9.34 330.00	0.64 16.26	66.4	1800
	176x176x89	AK1782HB	○	230/60	0.23	49.50	3200	10.75 380.00	0.81 20.57	70.0	1800
AK18065	180x180x65	AK1861HB	○	115/50	0.55	59.80	2800	9.91 350.00	0.70 17.78	70.0	1800
	180x180x65	AK1861HB	○	115/60	0.48	55.20	3200	11.60 410.00	0.85 21.59	72.0	1800
	180x180x65	AK1862HB	○	230/50	0.20	46.50	2800	9.91 350.00	0.70 17.78	70.0	1800
	180x180x65	AK1862HB	○	230/60	0.22	51.10	3200	11.60 410.00	0.85 21.59	72.0	1800
AK20572	205x205x72	AK2071HB	○	115/50	0.60	67.90	2800	16.98 600.00	0.93 23.62	72.0	2100
	205x205x72	AK2071HB	○	115/60	0.88	100.00	3200	18.82 665.00	0.50 12.70	75.4	2100
	205x205x72	AK2072HB	○	230/50	0.32	63.20	2800	16.98 600.00	0.93 23.62	72.0	2100
	205x205x72	AK2072HB	○	230/60	0.47	95.20	3200	18.82 665.00	0.50 12.70	75.4	2100
AK25489	254x89	AK2581HB	○	115/50	0.55	56.00	2100	19.24 680.00	0.35 8.79	66.0	2000
	254x89	AK2581HB	○	115/60	0.62	67.80	2000	17.83 630.00	0.28 7.01	62.0	2000
	254x89	AK2581MB	○	115/50	0.22	24.20	1350	12.74 450.00	0.26 6.65	55.6	2000
	254x89	AK2581MB	○	115/60	0.24	26.50	1600	15.00 530.00	0.32 8.18	57.0	2000
	254x89	AK2582HB	○	230/50	0.26	55.40	2100	19.24 680.00	0.35 8.79	66.0	2000
	254x89	AK2582HB	○	230/60	0.30	62.80	2000	17.83 630.00	0.28 7.01	62.0	2000
	254x89	AK2582MB	○	230/50	0.16	32.20	1350	12.74 450.00	0.26 6.65	55.6	2000
	254x89	AK2582MB	○	230/60	0.14	28.80	1600	15.00 530.00	0.32 8.18	57.0	2000
AK28089	280x89	AK2881HB	○	115/50	1.80	180.00	2800	33.96 1200.00	1.26 32.00	75.0	4240
	280x89	AK2881HB	○	115/60	2.60	260.00	3200	39.62 1400.00	1.11 28.19	78.0	4240
	280x89	AK2882HB	○	230/50	0.78	177.10	2800	33.96 1200.00	1.26 32.00	75.0	4240
	280x89	AK2882HB	○	230/60	1.22	260.00	3200	39.62 1400.00	1.11 28.19	78.0	4240

# Metal Finger Guard



MFG 4cm / 6cm / 8cm / 9cm  
12cm / 17cm

**Welded**  
Nickel-Chrome Plated Steel

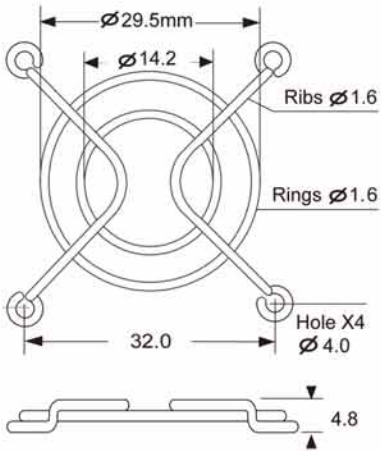


**Plastic Filters**

Place scan QR code surf plastic fan filters.

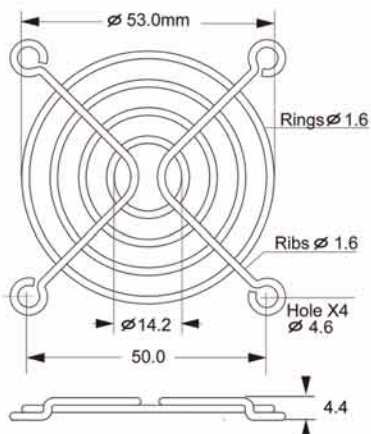
SIZE: 40X40MM

G40-2



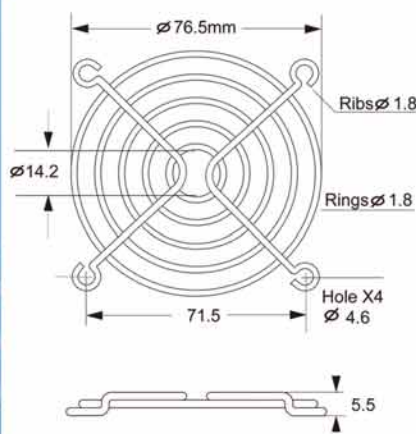
SIZE: 60X60MM

G60-4



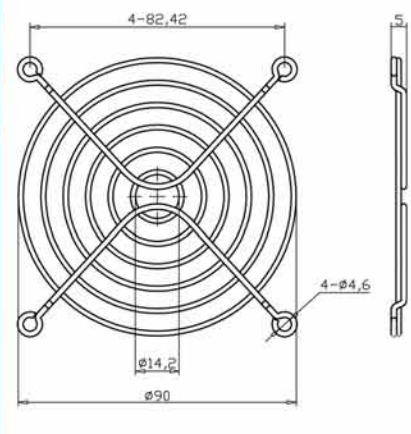
SIZE: 80X80MM

G80-18



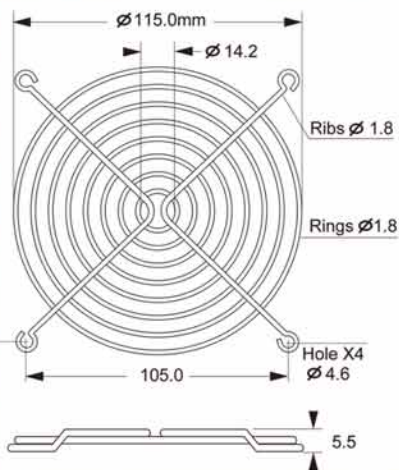
SIZE: 90X90MM

G92-6



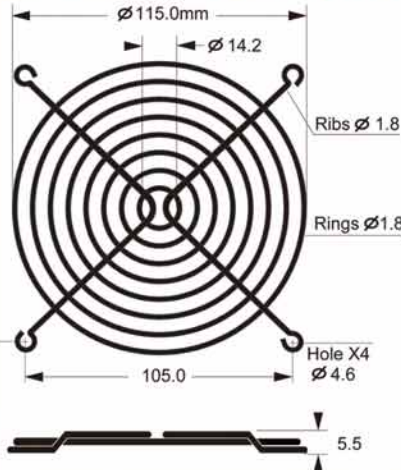
SIZE: 120X120MM

G109-15A



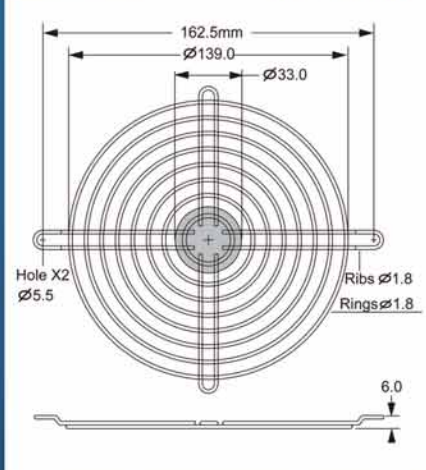
SIZE: 120X120MM

G109-15A-BK



SIZE: 170X170MM

G172-7DU





[www.adda.com.tw](http://www.adda.com.tw)

---

**ADDA Head Office**

---

35F., No. 38, Singuang Road, Ling Ya District,

Kaohsing City 802, Taiwan (R.O.C.)

Tel: 886-7-269-5166 Fax: 886-7-269-5366

e-mail: [adda@adda.com.tw](mailto:adda@adda.com.tw)