

HRC NH low voltage fuse

General Industrial applications

High breaking capacity

Size NH00

- Voltage: 80VDC
- Amps: 2 to 250A
- Class:gS
- Breaking Capacity: 25KA
- Comply with GB/T135539, IEC 60269, DIN 43620
- All the materials comply with ROHS.



Part Number:

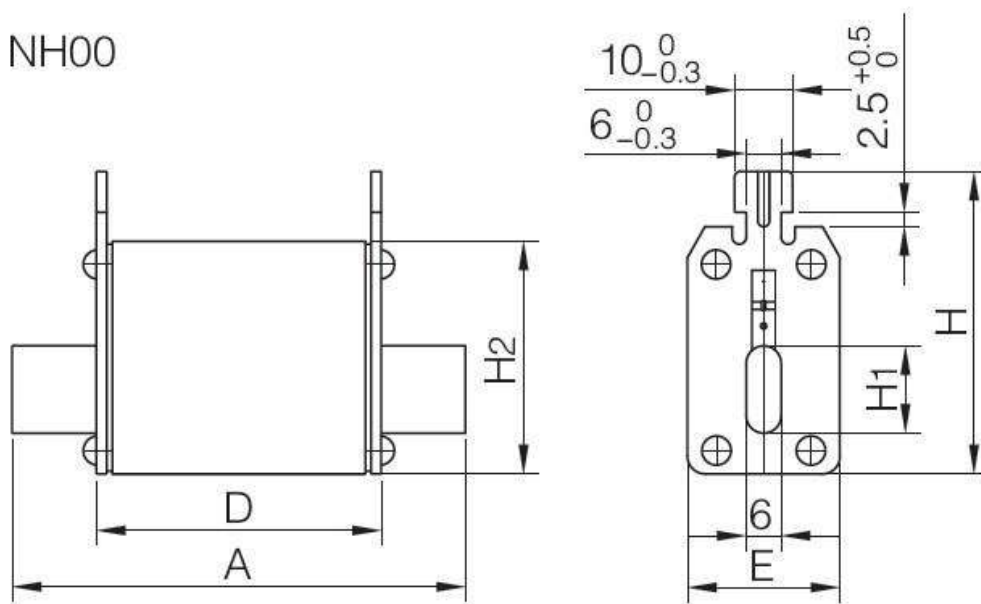
Size	Part No	Rated Current (A)	Rated Voltage (V)	Temp. Rise (K)	Watts Loss (W)	Breaking Capacity	Weight (KG/pc)
NH00	2NH00S80	2	80V DC	≤70	≤32	25KA	0.20
	4NH00S80	4	80V DC				0.20
	6NH00S80	6	80V DC				0.20
	8NH00S80	8	80V DC				0.20
	10NH00S80	10	80V DC				0.20
	12NH00S80	12	80V DC				0.20
	16NH00S80	16	80V DC				0.20
	20NH00S80	20	80V DC				0.20
	25NH00S80	25	80V DC				0.20
	32NH00S80	32	80V DC				0.20
	50NH00S80	50	80V DC				0.20
	63NH00S80	63	80V DC				0.20
	80NH00S80	80	80V DC				0.20
	100NH00S80	100	80V DC				0.20
125NH00S80	125	80V DC	0.20				

	160NH00S80	160	80V DC			0.20
	200NH00S80	200	80V DC			0.20
	250NH00S80	250	80V DC			0.20

Overall Dimension(mm)

A	D	E	H	H1	H2
78	53	30	60	15	48

NH00



Conventional Fusing Time and Conventional Non-fusing Time -See as follows:

Rated current A	Conventional time hour	Conventional non-fusing Current I_{nf} A	Conventional fusing Current I_f A
$I_n \leq 4$	1	1.5 I_n	2.1 I_n
$4 < I_n < 16$			1.9 I_n
$16 \leq I_n \leq 63$	2	1.25 I_n	1.6 I_n
$63 < I_n \leq 160$			
$160 < I_n \leq 250$	3		

HRC NH00 Fuse base NH00S

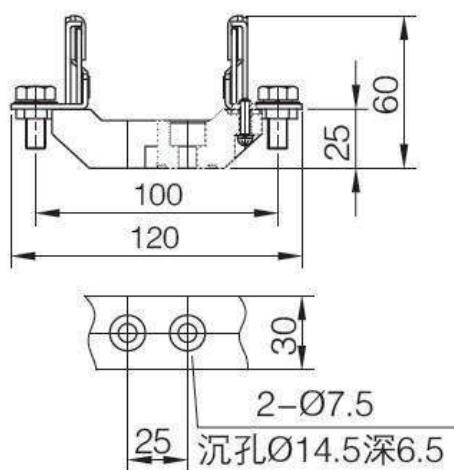
General Industrial applications

- Voltage: 80VDC
- Amps:Up to 250A
- Matched with fuse: size NH000 and NH00
- Class:gS
- Comply with GB/T135539, IEC 60269, DIN 43620
- All the materials comply with ROHS.



Part No	Rated Voltage (V)	Rated Current (A)	Matched with fuse	Weight (KG/pc)
NH00S	80 V DC	250	NH000,NH00	0.152

Drawing



HRC NH fuse puller RT0

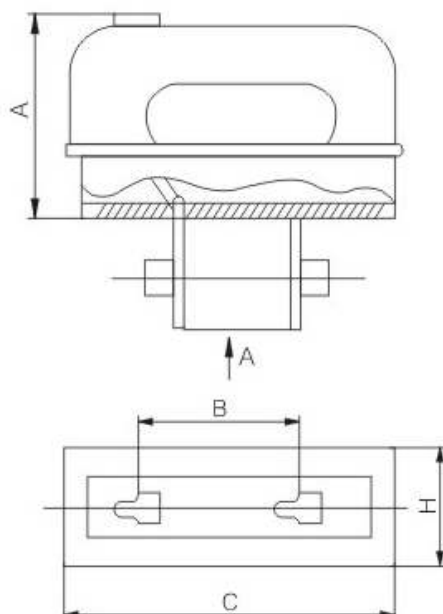


General Industrial applications

- Voltage: 80VDC
- Suitable for fuse: NH00 80V DC
- Class:gS
- Comply with GB/T135539, IEC 60269,

This type fuse puller can be offered with customized solution in accordance with client requirements. Manufactured of high quality raw material and advanced technology, the Fuse Puller is in demand for its high performance, durability and low maintenance.

Part No	Rated insulation Voltage	Suitable for fuse size	Outline dimension				Weight(g)
			A1	B1	B2	H	
RT0	80V DC	NH00	70	67	128	60	225



HRC NH fuse puller RT1



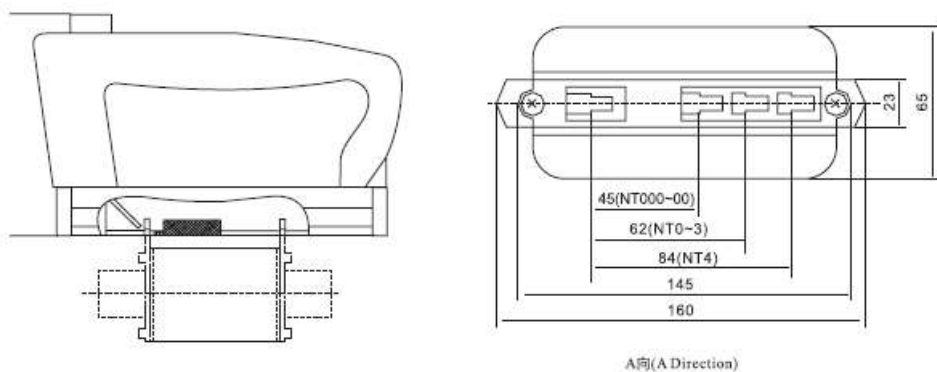
General Industrial applications

- Voltage: 80VDC
- Suitable for fuse: NH00 80V DC
- Class:gS
- Comply with GB/T135539, IEC 60269,

This type fuse puller can be offered with customized solution in accordance with client requirements.

Manufactured of high quality raw material and advanced technology, the Fuse Puller is in demand for its high performance, durability and low maintenance.

Part No	Rated insulation Voltage	Suitable for fuse size	Weight(g)
RT1	80V DC	NH00	174



ZHEJAING GALAXY FUSE CO.,LTD

Address: Changchun Industrial Zone, Liushi, Yueqing, Zhejiang, 325604, China

Tel: +86-577 27865343 +86-136-2652-1542 FAX: 86-577-61750013